

A 车削

B 铣削

C 钻削

D 深孔加工

E 圆柄刀具

F 镗削

G 旋转刀柄

H 技术信息

G

旋转刀柄

ROTATION TOOLHOLDER



A 车削

B 铣削

C 钻削

D 深孔加工

E 圆柄刀具

F 镗削

G 旋转刀柄

H 技术信息

旋转刀柄

Rotation Toolholder

● BT 工具系统 BT Tooling System

BT 强力夹头刀柄
BT Milling Chucks G04

BT 侧固式刀柄
BT Side Lock Holders G05

BT 2° 侧固式刀柄
BT 2° Side Lock Holders G06

BT ER 弹簧夹头刀柄
BT ER Collet Chucks G07

BT 无扁尾莫氏圆锥孔刀柄
BT Morse Taper Holders without Tang G12

BT 有扁尾莫氏圆锥孔刀柄
BT Morse Taper Holders with Tang G13

BT 套式立铣刀刀柄
BT Shell Mill Holders G14

BT 套式面铣刀刀柄
BT Face Mill Holders G16

BT 三面刃铣刀刀柄
BT Soltting Cutter Holders G17

BT 液压刀柄
BT Hydraulic Chucks G18

BT 工具磨液压刀柄
BT Tool Grinding Hydraulic Chucks G20

BT 热装刀柄
BT Shrink Fit Toolholders G21

ER 卡簧接杆
ER Collet Chucks Extensions G26

标准热装接杆
Standard Shrink Fit Extensions G27

TMG21 ER 弹簧夹头刀柄模块
TMG21 ER Collet Chucks G28

● HSK 工具系统 HSK Tooling System

HSK 强力夹头刀柄
HSK Milling Chucks G29

HSK 侧固式刀柄
HSK Side Lock Holders G30

HSK 2° 侧固式刀柄
HSK Side Lock Holders G31

HSK 强力夹头刀柄
HSK Milling Chucks G29

HSK 侧固式刀柄
HSK Side Lock Holders G30

HSK 2° 侧固式刀柄
HSK Side Lock Holders G31

HSK ER 弹簧夹头刀柄
HSK ER Collet Chucks G32

HSK 有扁尾莫氏圆锥孔刀柄
HSK Morse Taper Holders with Tang G34

HSK 套式立铣刀刀柄
HSK Shell Mill Holders G35

HSK 套式面铣刀刀柄
HSK Face Mill Holders G36

HSK 三面刃铣刀刀柄
HSK Soltting Cutter Holders G37

HSK 液压刀柄
HSK Hydraulic Chucks G38

HSK-A 热装刀柄
HSK-A Shrink Fit Toolholders G41

HSK-E 热装刀柄
HSK-E Shrink Fit Toolholders G45

● JT 工具系统 JT Tooling System

JT 强力夹头刀柄
JT Milling Chucks G46

JT 侧固式刀柄
JT Side Lock Holders G47

JT 2° 侧固式刀柄
JT 2° Side Lock Holders G48

JT ER 弹簧夹头刀柄
JT ER Collet Chucks G49

JT 无扁尾莫氏圆锥孔刀柄
JT Morse Taper Holders without Tang G50

JT 有扁尾莫氏圆锥孔刀柄
JT Morse Taper Holders with Tang G51

JT 套式立铣刀刀柄
JT Shell Mill Holders G52

JT 套式面铣刀刀柄
JT Face Mill Holders G53

JT 三面刃铣刀刀柄
JT Soltting Cutter Holders G54

JT 液压刀柄
JT Hydraulic Chucks G55

JT 热装刀柄
JT Shrink Fit Toolholders G58

● **ST 刀柄系列 ST Series**

ST 强力夹头刀柄

ST Milling Chucks

G62

ST 侧固式刀柄

ST Side Lock Holders

G63

ST ER 弹簧夹头刀柄

ST ER Collet Chucks

G64

ST 无扁尾莫氏圆锥孔刀柄

ST Morse Taper Holders without Tang

G65

ST 有扁尾莫氏圆锥孔刀柄

ST Morse Taper Holders with Tang

G66

ST 套式立铣刀刀柄

ST Shell Mill Holders

G67

ST 套式面铣刀刀柄

ST Face Mill Holders

G68

可调液压刀柄

Adjustable Hydraulic Chuck

G69

可调液压刀柄模块

Adjustable Hydraulic Chuck Module

G71

可调刀柄手柄

Adjustable Hydraulic Chuck Master Module

G72

● **PSC刀柄系列 PSC Series**

PSC 强力夹头刀柄

PSC Milling Chucks

G75

PSC 侧固式刀柄

PSC Side Lock Holders

G76

PSC ER 弹簧夹头刀柄

PSC ER Collet Chucks

G77

PSC 套式立铣刀刀柄

PSC Shell Mill Holders

G79

PSC 套式面铣刀刀柄

PSC Face Mill Holders

G81

PSC 液压刀柄

PSC Hydraulic Chucks

G82

PSC 热装刀柄

PSC Shrink Fit Toolholders

G83

HSK 转接柄

HSK-PSC Adaptor

G85

BT 转接柄

BT-PSC Adaptor

G87

JT 转接柄

JT-PSC Adaptor

G89

ST 转接柄

ST-PSC Adaptor

G91

等径接杆

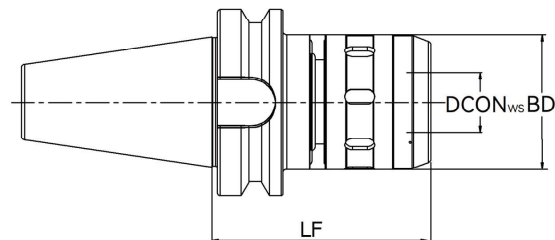
Equal-diameter Adaptor

G93

缩径接杆

Equal-diameter Adaptor

G97

BT 强力夹头刀柄**BT Milling Chucks**柄径公差
h6

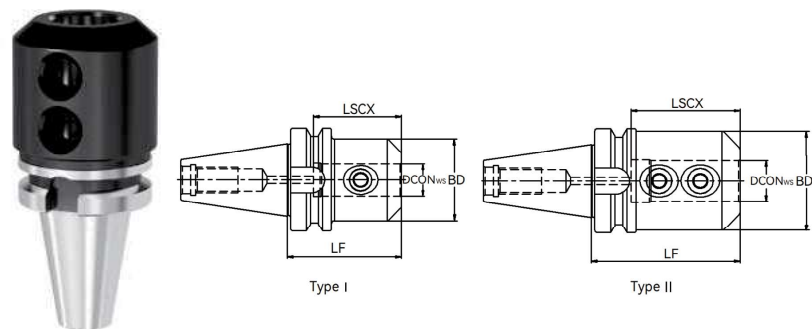
主轴型号 Spindle Model	刀柄型号 Model No	尺寸 Size (mm)			卡簧 Collets
		DCON _{ws}	BD	LF	
BT30	BT30-C20-095	20	55	95	C20
BT40	BT40-C20-095	20	55	95	C20
BT40	BT40-C20-120	20	55	120	C20
BT40	BT40-C25-100	25	62	100	C25
BT40	BT40-C25-120	25	62	120	C25
BT50	BT40-C32-105	32	72	105	C32
BT50	BT50-C20-105	20	55	105	C20
BT50	BT50-C20-135	20	55	105	C20
BT50	BT50-C25-110	25	62	110	C25
BT50	BT50-C25-135	25	62	135	C25
BT50	BT50-C32-110	32	72	110	C32
BT50	BT50-C32-135	32	72	135	C32
BT50	BT50-C42-110	42	87	110	C42

● 附件需单独订购 Accessories are sold separately

附件 Accessories	C20	C25	C32	C42
扳手 Wrench	WCN25	WCN32	WCN40	BS130UNT

BT侧固式刀柄

BT Side Lock Holders



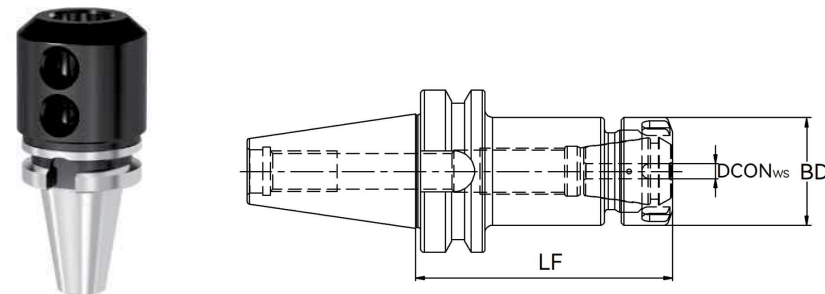
主轴型号 Spindle Model	刀柄型号 Model No JIS B6339-AD	尺寸 Size (mm)				螺钉 Screw	型式 Type
		DCON _{ws}	BD	LF	LSCX		
BT30	BT30-XP16-063	16	48	63	52	SXP16	I
BT30	BT30-XP20-070	20	50	70	54	SXP20	I
BT40	BT40-XP16-063	16	48	63	52	SXP16	I
BT40	BT40-XP20-070	20	50	70	54	SXP20	I
BT40	BT40-XP25-090	25	60	90	66	SXP25	II
BT40	BT40-XP32-100	32	68	100	70	SXP32	II
BT50	BT50-XP16-080	16	48	80	52	SXP16	I
BT50	BT50-XP20-080	20	50	80	54	SXP20	I
BT50	BT50-XP25-100	25	60	100	66	SXP25	II
BT50	BT50-XP32-105	32	68	105	79	SXP32	II
BT50	BT50-XP40-120	40	84	120	80	SXP32	II

● 附件需单独订购 Accessories are sold separately

附件 Accessories	DCON _{ws} =16	DCON _{ws} =20	DCON _{ws} =25	DCON _{ws} =32	DCON _{ws} =40
扳手 Hex Wrench	S6	S8	S8	S10	S10

BT 2° 侧固式刀柄

BT 2° Side Lock Holders



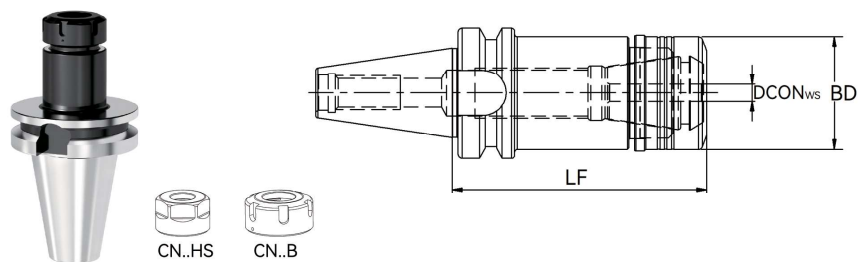
主轴型号 Spindle Model	刀柄型号 Model No JIS B6339-AD	尺寸 Size (mm)				螺钉 Screw	螺钉 Screw	型式 Type
		DCON _{ws}	BD	LF	LSCX			
BT30	BT30-XP16-063	16	45	63	55	SXP16	SO12014C	I
BT30	BT30-XP20-075	20	52	75	57	SXP20	SO16016C	I
BT30	BT30-XP25-085	25	65	85	62	SXP25	SO20016C	II
BT40	BT40-XP16-075	16	48	75	55	SXP16	SO12014C	I
BT40	BT40-XP20-075	20	52	75	57	SXP20	SO16016C	I
BT40	BT40-XP25-090	25	65	90	62	SXP25	SO20016C	II
BT40	BT40-XP25-165	25	65	165	62	SXP25	SO20016C	II
BT40	BT40-XP32-105	32	72	105	63	SXP32	SO20016C	II
BT40	BT40-XP32-165	32	72	165	63	SXP32	SO20016C	II
BT50	BT50-XP16-080	16	48	80	55	SXP16	SO12014C	I
BT50	BT50-XP20-080	20	52	80	57	SXP20	SO16016C	I
BT50	BT50-XP25-100	25	65	100	62	SXP25	SO20016C	II
BT50	BT50-XP25-165	25	65	165	62	SXP25	SO20016C	II
BT50	BT50-XP32-105	32	72	105	63	SXP32	SO20016C	II
BT50	BT50-XP32-165	32	72	165	63	SXP32	SO20016C	II

● 附件需单独订购 Accessories are sold separately

附件 Accessories	DCON _{ws} =16	DCON _{ws} =20	DCON _{ws} =25	DCON _{ws} =32
扳手 Hex Wrench	S6	S8	S8	S10

BT-ER 弹簧夹头刀柄

BT-ER Collet Chucks



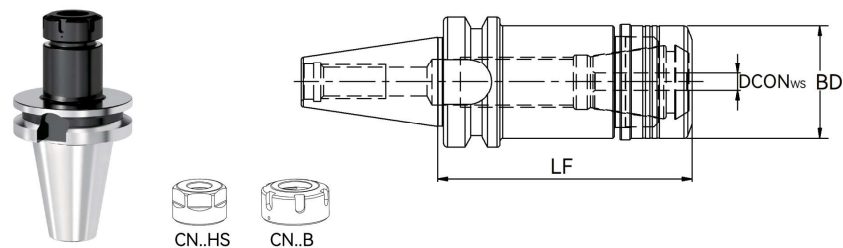
主轴型号 Spindle Model	刀柄型号 Model No JIS B6339-AD	尺寸 Size (mm)			螺母 Nuts	螺钉 Screw	卡簧 Collets
		DCON _{ws}	BD	LF			
BT30	BT30-ER11-060	0.5-7	19	60	CN11HS	SER11C	ER11
BT30	BT30-ER11-090	0.5-7	19	90			
BT30	BT30-ER16-060	0.5-10	28	60	CN16HS	SER16C	ER16
BT30	BT30-ER16-090	0.5-10	28	90			
BT30	BT30-ER16-120	0.5-10	28	120			
BT30	BT30-ER20-060	1.0-13	34	60	CN20HS	SER20C	ER20
BT30	BT30-ER20-090	1.0-13	34	90			
BT30	BT30-ER20-120	1.0-13	34	120			
BT30	BT30-ER25-060	1.0-16	42	60	CN25B	SER25C	ER25
BT30	BT30-ER25-090	1.0-16	42	90			
BT30	BT30-ER25-120	1.0-16	42	120			
BT30	BT30-ER32-060	2.0-20	50	60	CN32B	SER32C	ER32
BT30	BT30-ER32-090	2.0-20	50	90			

● 附件需单独订购 Accessories are sold separately

附件 Accessories	ER11	ER16	ER20	ER25	ER32
扳手 Wrench	W17D	W25D	W30D	YER25B	YER32B

BT ER 弹簧夹头刀柄

BT ER Collet Chucks



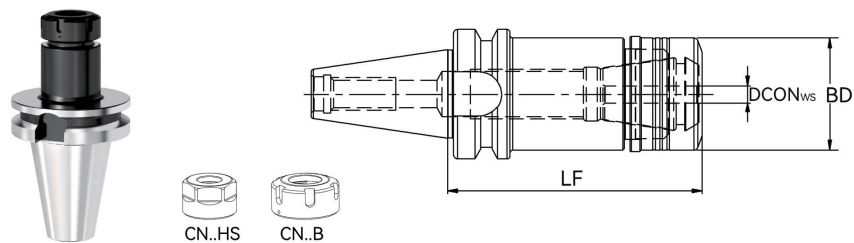
主轴型号 Spindle Model	刀柄型号 Model No JIS B6339-AD	尺寸 Size (mm)			螺母 Nuts	螺钉 Screw	卡簧 Collets
		DCON _{ws}	BD	LF			
BT40	BT40-ER11-070	0.5-7	19	70	CN11HS	SER11C	ER11
BT40	BT40-ER11-120	0.5-7	19	120			
BT40	BT40-ER16-070	0.5-10	28	70	CN16HS	SER16C	ER16
BT40	BT40-ER16-100	0.5-10	28	100			
BT40	BT40-ER16-120	0.5-10	28	120			
BT40	BT40-ER16-150	0.5-10	28	150	CN20HS	SER20C	ER20
BT40	BT40-ER20-080	1.0-13	34	80			
BT40	BT40-ER20-100	1.0-13	34	100			
BT40	BT40-ER20-120	1.0-13	34	120	CN20HS	SER20C	ER20
BT40	BT40-ER20-150	1.0-13	34	150			
BT40	BT40-ER25-080	1.0-16	42	80			
BT40	BT40-ER25-100	1.0-16	42	100	CN25B	SER25C	ER25
BT40	BT40-ER25-120	1.0-16	42	120			
BT40	BT40-ER25-150	1.0-16	42	150			
BT40	BT40-ER32-060	2.0-20	50	60	CN32B	SER32C	ER32
BT40	BT40-ER32-080	2.0-20	50	80			
BT40	BT40-ER32-100	2.0-20	50	100			
BT40	BT40-ER32-120	2.0-20	50	120	CN32B	SER32C	ER32
BT40	BT40-ER32-150	2.0-20	50	150			
BT40	BT40-ER40-080	3.0-26	63	80			
BT40	BT40-ER40-100	3.0-26	63	100	CN40B	SER40C	ER40
BT40	BT40-ER40-120	3.0-26	63	120			
BT40	BT40-ER40-150	3.0-26	63	150			

● 附件需单独订购 Accessories are sold separately

附件 Accessories	C20	C25	C32	C42
扳手 Wrench	WCN25	WCN32	WCN40	BS130UNT

BT ER 弹簧夹头刀柄

BT ER Collet Chucks



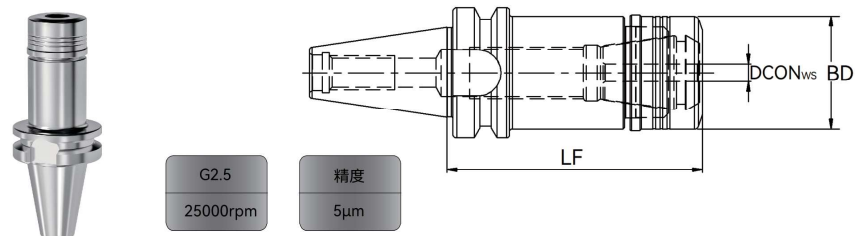
主轴型号	刀柄型号	尺寸 Size (mm)			螺母	螺钉	卡簧
Spindle Model	Model No	DCON _{ws}	BD	LF	Nuts	Screw	Collets
	JIS B6339-AD						
BT50	BT50-ER16-080	0.5-10	28	80	CN16HS	SER16C	Er16
BT50	BT50-ER16-100	0.5-10	28	100			
BT50	BT50-ER16-120	0.5-10	28	120			
BT50	BT50-ER16-165	0.5-10	28	165			
BT50	BT50-ER20-080	1.0-13	34	80	CN20HS	SER20C	ER20
BT50	BT50-ER20-100	1.0-13	34	100			
BT50	BT50-ER20-120	1.0-13	34	120			
BT50	BT50-ER20-135	1.0-13	34	135			
BT50	BT50-ER20-165	1.0-13	34	165			
BT50	BT50-ER25-080	1.0-16	42	80			
BT50	BT50-ER25-100	1.0-16	42	100			
BT50	BT50-ER25-120	1.0-16	42	120			
BT50	BT50-ER25-165	1.0-16	42	165			
BT50	BT50-ER32-090	2.0-20	50	90	CN32B	SER32C	ER32
BT50	BT50-ER32-100	2.0-20	50	100			
BT50	BT50-ER32-120	2.0-20	50	120			
BT50	BT50-ER32-165	2.0-20	50	165			
BT50	BT50-ER32-200	2.0-20	50	200			
BT50	BT50-ER32-250	2.0-20	50	250			
BT50	BT50-ER40-100	3.0-26	63	100	CN40B	SER40C	ER40
BT50	BT50-ER40-120	3.0-26	63	120			
BT50	BT50-ER40-165	3.0-26	63	165			
BT50	BT50-ER40-200	3.0-26	63	200			

● 附件需单独订购 Accessories are sold separately

附件 Accessories	ER11	ER16	ER20	ER25	ER32	ER40
扳手 Wrench	W17D	W25D	W30D	YER25B	YER32B	YER40B

BT ER 弹簧夹头刀柄 (动平衡)

BT ER Collet Chucks (Balanced)



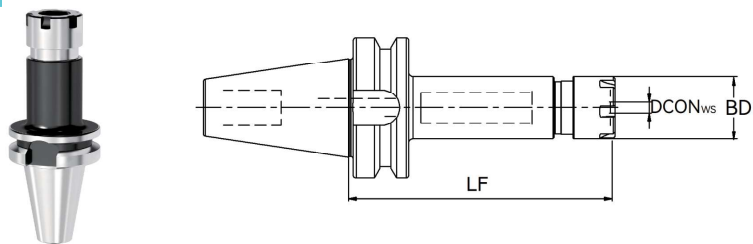
主轴型号	刀柄型号	尺寸 Size (mm)			螺母	卡簧
Spindle Model	Model No	DCON _{ws}	BD	LF	Nuts	Collets
	JIS B6339-AD					
BT30	BT30-ER16-060	0.5-10	30	60	HN16	ER16
BT30	BT30-ER16-090	0.5-10	30	90		
BT30	BT30-ER16-120	0.5-10	30	120		
BT30	BT30-ER20-060	1.0-13	35	60	HN20	ER20
BT30	BT30-ER20-090	1.0-13	35	90		
BT30	BT30-ER20-120	1.0-13	35	120		
BT30	BT30-ER25-060	1.0-16	40	60	HN25	ER25
BT30	BT30-ER25-090	1.0-16	40	90		
BT30	BT30-ER25-120	1.0-16	40	120		

● 附件需单独订购 Accessories are sold separately

附件 Accessories	ER11	ER16	ER20	ER25	ER32
扳手 Wrench	W17D	W25D	W30D	YER25B	YER32B

BT ER 弹簧夹头刀柄

BT ER Collet Chucks



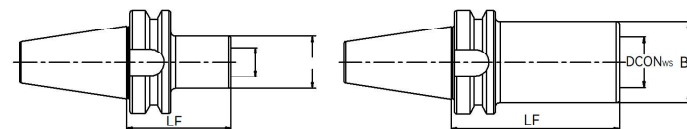
主轴型号	刀柄型号	尺寸 Size (mm)			螺母	螺钉	卡簧
Spindle Model	Model No	DCON _{ws}	BD	LF	Nuts	Screw	Collets
	JIS B6339-AD						
BT30	BT30-ER11-060(M)	0.5-7	16	60	CNM11	SER11C	ER11
BT30	BT30-ER11-090(M)	0.5-7	16	90			
BT30	BT30-ER11-120(M)	0.5-7	16	120			
BT30	BT30-ER16-060(M)	0.5-10	23	60	CNM16	SER16C	ER16
BT30	BT30-ER16-090(M)	0.5-10	23	90			
BT30	BT30-ER16-120(M)	0.5-10	23	120			
BT30	BT30-ER20-060(M)	1.0-13	28	60	CNM20	SER20C	ER20
BT30	BT30-ER20-090(M)	1.0-13	28	90			
BT30	BT30-ER20-120(M)	1.0-13	28	120			
BT40	BT40-ER11-090(M)	1.0-16	16	90	CNM11	SER11C	ER11
BT40	BT40-ER11-120(M)	1.0-16	16	120			
BT40	BT40-ER11-150(M)	-	16	150			
BT40	BT40-ER16-090(M)	-	23	90	CNM16	SER16C	ER16
BT40	BT40-ER16-120(M)	-	23	120			
BT40	BT40-ER16-150(M)	-	23	150			
BT40	BT40-ER20-095(M)	-	28	95	CNM20	SER20C	ER20
BT40	BT40-ER20-120(M)	-	28	120			
BT40	BT40-ER20-150(M)	-	28	150			
BT50	BT50-ER16-105(M)	-	23	105	CNM16	SER16C	ER16
BT50	BT50-ER16-135(M)	-	23	135			
BT50	BT50-ER16-165(M)	-	23	165			
BT50	BT50-ER20-105(M)	-	28	105	CNM20	SER20C	ER20
BT50	BT50-ER20-135(M)	-	28	135			
BT50	BT50-ER20-165(M)	-	28	165			

● 附件需单独订购 Accessories are sold separately

附件 Accessories	ER11	ER16	ER20
扳手 Wrench	WM11	WM16	WM20

BT 无扁尾莫氏圆锥孔刀柄

BT Morse Taper Holders without Tang



Type I

Type II

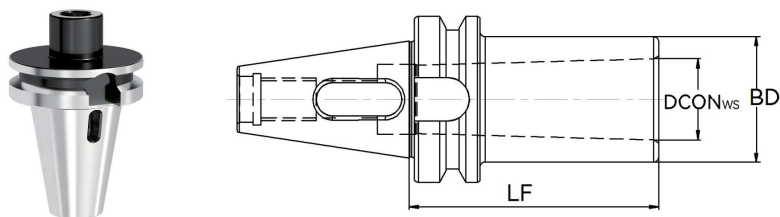
主轴型号	刀柄型号	莫氏锥度	对应安装铣刀直径 (mm)	尺寸 Size (mm)			螺钉	型式
Spindle Model	Model No	Morse taper	Corresponding to installed milling cutter diameter	DCON _{ws}	BD	LF	Screw	Type
	JIS B6339-A							
BT40	BT40-MW1-050	MT1	6-12	12.065	27	50	MS06025	I
BT40	BT40-MW2-064	MT2	14-20	17.780	32	64	MS10030-A	I
BT40	BT40-MW3-076	MT3	22-36	23.825	40	76	MS12035-A	II
BT40	BT40-MW4-103	MT4	32-56	31.267	50	103	MS16040-A	II
BT50	BT50-MW1-045	MT1	6-12	12.065	27	45	MS06025	I
BT50	BT50-MW2-060	MT2	14-20	17.780	32	60	MS10030-A	I
BT50	BT50-MW3-065	MT3	22-36	23.825	40	65	MS12035-A	I
BT50	BT50-MW4-075	MT4	32-56	31.267	50	75	MS16040-B	I
BT50	BT50-MW5-105	MT5	40-63	44.399	78	105	MS20048-A	II

● 附件需单独订购 Accessories are sold separately

附件 Accessories	MT1	MT2	MT3	MT4(I)	MT4(2)	MT5
扳手 Hex Wrench	S5	S8	S10	S14	S12	S17

BT 有扁尾莫氏圆锥孔刀柄

BT Morse Taper Holders with Tang

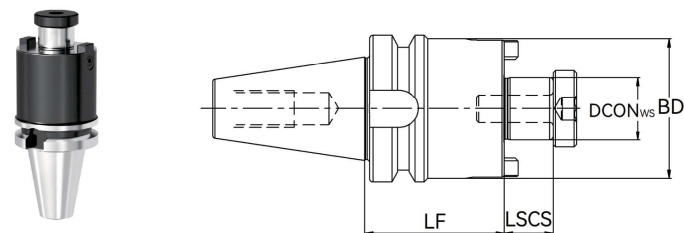


主轴型号	刀柄型号	莫氏锥度	对应安装铣刀直径 (mm)	尺寸 Size (mm)		
				DCON _{ws}	BD	LF
BT30	BT30-M1-050	MT1	3-14	12.065	25	50
BT30	BT30-M2-060	MT2	14.25-23	17.780	32	60
BT40	BT40-M1-045	MT1	3-14	12.065	25	45
BT40	BT40-M1-120	MT1	3-14	12.065	25	120
BT40	BT40-M2-060	MT2	14.25-23	17.780	32	60
BT40	BT40-M2-120	MT2	14.25-23	17.780	32	120
BT40	BT40-M3-075	MT3	23.25-31.75	23.825	40	75
BT40	BT40-M3-135	MT3	23.25-31.75	23.825	40	135
BT40	BT40-M4-095	MT4	32-50.5	31.267	48	95
BT40	BT40-M4-165	MT4	32-50.5	31.267	48	165
BT50	BT50-M1-045	MT1	3-14	12.065	25	45
BT50	BT50-M1-120	MT1	3-14	12.065	25	120
BT50	BT50-M1-180	MT1	3-14	12.065	25	180
BT50	BT50-M2-045	MT2	14.25-23	17.780	32	45
BT50	BT50-M2-135	MT2	14.25-23	17.780	32	135
BT50	BT50-M2-180	MT2	14.25-23	17.780	32	180
BT50	BT50-M3-075	MT3	23.25-31.75	23.825	40	75
BT50	BT50-M3-150	MT3	23.25-31.75	23.825	40	150
BT50	BT50-M3-180	MT3	23.25-31.75	23.825	40	180
BT50	BT50-M4-075	MT4	32-50.5	31.267	48	75
BT50	BT50-M4-180	MT4	32-50.5	31.267	48	180
BT50	BT50-M5-107	MT5	51-76	44.399	63	107
BT50	BT50-M5-210	MT5	51-76	44.399	63	210

● 附件需单独订购 Accessories are sold separately

BT 套式立铣刀刀柄

BT Shell Mill Holders



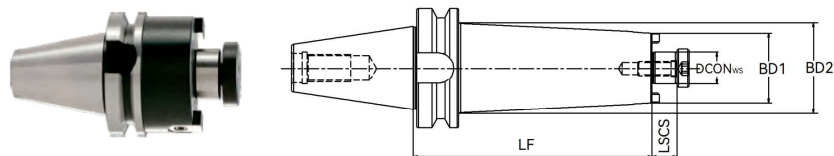
主轴型号	刀柄型号	尺寸 Size (mm)				螺钉1	键	螺钉2
		DCON _{ws}	BD	LF	LSCS			
BT30	BT30-XMB16-060	16	34	60	17	MS08030	JC08017	MS03008
BT30	BT30-XMB22-045	22	42	45	19	MS10030	JC10021	MS04010
BT30	BT30-XMB27-045	27	60	45	21	SXM27	JC12023	MS05016
BT40	BT40-XMB16-060	16	34	60	17	MS08030	JC08017	MS03008
BT40	BT40-XMB16-090	16	34	90	17	MS08030	JC08017	MS03008
BT40	BT40-XMB16-120	16	34	120	17	MS08030	JC08017	MS03008
BT40	BT40-XMB22-060	22	42	60	19	MS10030	JC10021	MS04010
BT40	BT40-XMB22-090	22	42	90	19	MS10030	JC10021	MS04010
BT40	BT40-XMB22-120	22	42	120	19	MS10030	JC10021	MS04010
BT40	BT40-XMB27-060	27	60	60	21	SXM27	JC12023	MS05016
BT40	BT40-XMB27-090	27	60	90	21	SXM27	JC12023	MS05016
BT40	BT40-XMB27-120	27	60	120	21	SXM27	JC12023	MS05016
BT40	BT40-XMB32-060	32	78	60	24	SXM32	JC14020	MS06020
BT40	BT40-XMB40-060	40	89	60	27	SXM40	KXM40	MS08020

● 附件需单独订购 Accessories are sold separately

附件 Accessories	DCON _{ws} =16	DCON _{ws} =22	DCON _{ws} =27	DCON _{ws} =32	DCON _{ws} =40
扳手 Hex Wrench	S6	S8	S10	S14	S17

BT套式立铣刀刀柄

BT Shell Mill Holders



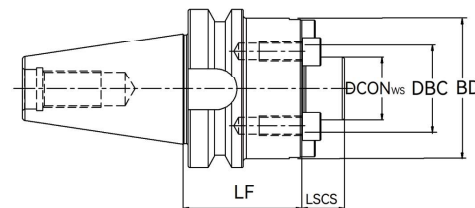
主轴型号 Spindle Model	刀柄型号 Model No JIS B6339-A	尺寸 Size (mm)					螺钉1 Screw	键 Key	螺钉2 Screw
		DCON _{ws}	BD1	BD2	LF	LSCS			
BT50	BT50-XMB16-060	16	34	-	60	17	MS08030	JC08017	MS03008
BT50	BT50-XMB16-090	16	34	-	90	17	MS08030	JC08017	MS03008
BT50	BT50-XMB16-120	16	34	-	120	17	MS08030	JC08017	MS03008
BT50	BT50-XMB22-060	22	42	-	60	19	MS10030	JC10021	MS04010
BT50	BT50-XMB22-090	22	42	-	90	19	MS10030	JC10021	MS04010
BT50	BT50-XMB22-120	22	42	-	120	19	MS10030	JC10021	MS04010
BT50	BT50-XMB22-150	22	42	60	150	19	MS10030	JC10021	MS04010
BT50	BT50-XMB22-200	22	42	60	200	19	MS10030	JC10021	MS04010
BT50	BT50-XMB22-250	22	42	60	250	19	MS10030	JC10021	MS04010
BT50	BT50-XMB27-060	27	60	-	60	21	SXM27	JC12023	MS05016
BT50	BT50-XMB27-090	28	60	-	90	21	SXM27	JC12023	MS05016
BT50	BT50-XMB27-120	29	60	-	120	21	SXM27	JC12023	MS05016
BT50	BT50-XMB27-150	30	60	75	150	21	SXM27	JC12023	MS05016
BT50	BT50-XMB27-200	31	60	75	200	21	SXM27	JC12023	MS05016
BT50	BT50-XMB27-250	32	60	75	250	21	SXM27	JC12023	MS05016
BT50	BT50-XMB27-300	27	60	75	300	21	SXM27	JC12023	MS05016
BT50	BT50-XMB32-060	32	78	-	60	24	SXM32	JC14020	MS06020
BT50	BT50-XMB32-090	32	78	-	90	24	SXM32	JC14020	MS06020
BT50	BT50-XMB32-120	32	78	-	120	24	SXM32	JC14020	MS06020
BT50	BT50-XMB32-150	32	78	-	150	24	SXM32	JC14020	MS06020
BT50	BT50-XMB32-200	32	78	-	200	24	SXM32	JC14020	MS06020
BT50	BT50-XMB40-060	40	89	-	60	27	SXM40	KXM40	MS08020
BT50	BT50-XMB40-090	40	89	-	90	27	SXM40	KXM40	MS08020
BT50	BT50-XMB40-120	40	89	-	120	27	SXM40	KXM40	MS08020
BT50	BT50-XMB40-150	40	89	-	150	27	SXM40	KXM40	MS08020

● 附件需单独订购 Accessories are sold separately

附件 Accessories	DCON _{ws} =16	DCON _{ws} =22	DCON _{ws} =27	DCON _{ws} =32	DCON _{ws} =40
扳手 Hex Wrench	S6	S8	S10	S14	S17

BT 面铣刀刀柄

BT Face Mill Holders



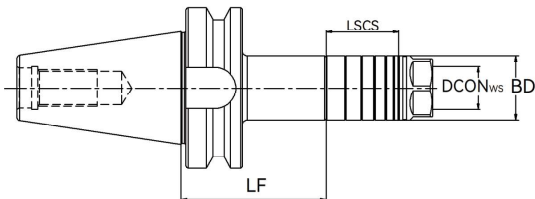
主轴型号 Spindle Model	刀柄型号 Model No JIS B6339-A	尺寸 Size (mm)					螺钉1 Screw	键 Key	螺钉2 Screw
		DCON _{ws}	BD	DBC	LF	LSCS			
BT40	BT40-XMC40-060	40	89	66.7	60	27	MS12045(4)	KXM40	MS08020
BT50	BT50-XMC40-075	40	89	66.7	75	27	MS12045(4)	KXM40	MS08020
BT50	BT50-XMC60-075	60	129	101.6	75	38	MS16045(4)	KXM60	MS10025

● 附件需单独订购 Accessories are sold separately

附件 Accessories	DCON _{ws} =40	DCON _{ws} =60
扳手 Hex Wrench	S10	S14

BT 三面刃铣刀刀柄

BT Solting Cutter Holders

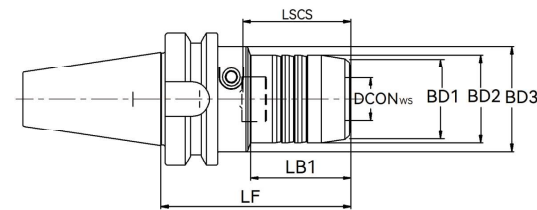


主轴型号 Spindle Model	刀柄型号 Model No	尺寸 Size (mm)				螺母 nuts	垫圈 Washer	键 Key
	JIS B6339-A	DCON _{NWS}	BD	LF	LSCS			
BT40	BT40-XS22-075	22	34	75	30	MXS22	SD22	JA06020
BT40	BT40-XS22-120	22	34	120	30	MXS22	SD22	JA06020
BT40	BT40-XS27-075	27	40	75	30	MXS27	SD27	JA07022
BT40	BT40-XS27-120	27	40	120	30	MXS27	SD27	JA07022
BT40	BT40-XS32-090	32	46	90	30	MXS32	SD32	JA08022
BT50	BT50-XS22-090	22	34	90	30	MXS22	SD22	JA06020
BT50	BT50-XS22-135	22	34	135	30	MXS22	SD22	JA06020
BT50	BT50-XS27-090	27	40	90	30	MXS27	SD27	JA07022
BT50	BT50-XS27-135	27	40	135	30	MXS27	SD27	JA07022
BT50	BT50-XS32-090	32	46	90	30	MXS32	SD32	JA08022
BT50	BT50-XS32-135	32	46	135	30	MXS32	SD32	JA08022
BT50	BT50-XS40-090	40	55	90	30	MXS40	SD40	JA10025
BT50	BT50-XS40-135	40	55	135	30	MXS40	SD40	JA10025
BT50	BT50-XS50-090	50	69	90	30	MXS50	SD50	JA12025
BT50	BT50-XS50-135	50	69	135	30	MXS50	SD50	JA12025

● 附件需单独订购 Accessories are sold separately

BT 液压刀柄

BT Hydraulic Chucks



柄径公差
h6

G2.5
25000rpm

回转精度
3μm

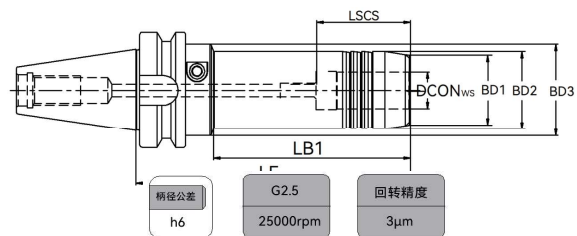
主轴型号 Spindle Model	刀柄型号 Model No	尺寸 Size (mm)							螺钉 Screw	卡簧 Collets
	JIS B6339-AD	DCON _{NWS}	BD1	BD2	BD3	LF	LSCX	LB1		
BT30	BT30-HCM06-50.8	6	23	26	46	50.8	37	15.6	HCSO05014C	-
BT30	BT30-HCM08-50.8	8	25	28	46	50.8	37	15.6	HCSO06014C	-
BT30	BT30-HCM10-50.8	10	27	30	46	50.8	41	15.6	HCSO08014C	-
BT30	BT30-HCM12-50.8	12	29	32	46	50.8	46	15.6	HCSO08014C	HC12
BT30	BT30-HCM16-090	16	34	38	45	90	49	50	HCSO08014C	-
BT30	BT30-HCM20-090	20	38	42	45	90	51	50	HCSO08014C	HC20
BT40	BT40-HCM06-090	6	22	26	50	90	37	43	HCSO05014C	-
BT40	BT40-HCM08-090	8	24	28	50	90	37	44.5	HCSO06014C	-
BT40	BT40-HCM10-090	10	26	30	50	90	41	44.5	HCSO08014C	-
BT40	BT40-HCM12-090	12	28	32	50	90	46	44.5	HCSO08014C	HC12
BT40	BT40-HCM14-090	14	30	34	50	90	46	44.5	HCSO08014C	-
BT40	BT40-HCM16-090	16	34	38	50	90	49	47.5	HCSO08014C	-
BT40	BT40-HCM20-090	20	38	42	50	90	51	47.5	HCSO08014C	HC20
BT40	BT40-HCM25-083	25	53	57	62	83	57	44	HCSO12014C	-
BT40	BT40-HCM32-083	32	60	63	80	83	61	25.5	HCSO12014C	HC32
BT50	BT50-HCM12-090	12	28	32	44.5	90	46	34	HCSO08014C	HC12
BT50	BT50-HCM16-090	16	34	38	44.5	90	49	34	HCSO08014C	-
BT50	BT50-HCM20-090	20	38	42	44.5	90	51	34	HCSO08014C	HC20
BT50	BT50-HCM20-105	20	38	42	44.5	105	51	47.5	HCSO08014C	HC20
BT50	BT50-HCM25-090	25	53	57	66	90	57	34	HCSO12014C	HC32
BT50	BT50-HCM32-090	32	60	64	72	90	61	34	HCSO12014C	HC32

● 附件需单独订购 Accessories are sold separately

附件 ccessories	DCON _{NWS} =6	DCON _{NWS} =8	DCON _{NWS} =10	DCON _{NWS} =12	DCON _{NWS} =16	DCON _{NWS} =20	DCON _{NWS} =32
扳手 Hex Wrench	TS5						TS6

BT 液压刀柄

BT Hydraulic Chucks

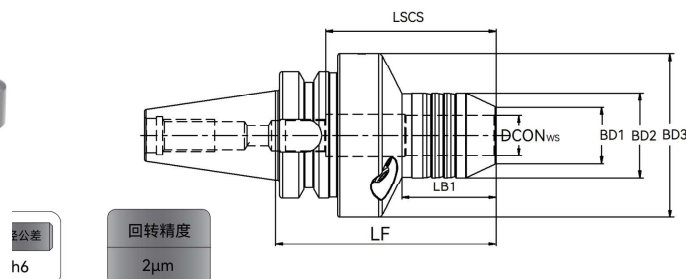


主轴型号	刀柄型号	尺寸 Size (mm)							螺钉	卡簧
Spindle Model	Model No	DCON _{ws}	BD1	BD2	BD3	LF	LSCX	LB1	Screw	Collets
	DIN69893									
BT40	BT40-HCM06-150	6	22	26	50	150	37	103	HCSO05014C	-
BT40	BT40-HCM08-150	8	24	28	50	150	37	104	HCSO06014C	-
BT40	BT40-HCM10-150	10	26	30	50	150	41	104	HCSO08014C	-
BT40	BT40-HCM12-150	12	28	32	50	150	46	105	HCSO08014C	HC12
BT40	BT40-HCM14-150	14	30	34	50	150	46	105	HCSO08014C	-
BT40	BT40-HCM16-150	16	34	38	50	150	49	106	HCSO08014C	-
BT40	BT40-HCM18-150	18	36	40	50	150	49	107	HCSO08014C	-
BT40	BT40-HCM20-150	20	38	42	50	150	51	107	HCSO08014C	HC20
BT40	BT40-HCM06-200	6	22	26	50	200	37	153	HCSO05014C	-
BT40	BT40-HCM08-200	8	24	28	50	200	37	154	HCSO06014C	-
BT40	BT40-HCM10-200	10	26	30	50	200	41	154	HCSO08014C	-
BT40	BT40-HCM12-200	12	28	32	50	200	46	155	HCSO08014C	HC12
BT40	BT40-HCM14-200	14	30	34	50	200	46	155	HCSO08014C	-
BT40	BT40-HCM16-200	16	34	38	50	200	49	156	HCSO08014C	-
BT40	BT40-HCM18-200	18	36	40	50	200	49	157	HCSO08014C	-
BT40	BT40-HCM20-200	20	38	42	50	200	51	157	HCSO08014C	HC20
BT50	BT50-HCM12-150	12	28	32	50	150	46	95	HCSO08014C	HC12
BT50	BT50-HCM20-150	20	38	42	50	150	51	95	HCSO08014C	HC20

● 附件需单独订购 Accessories are sold separately

BT 工具磨液压刀柄

BT Tool Grinding Hydraulic Chucks



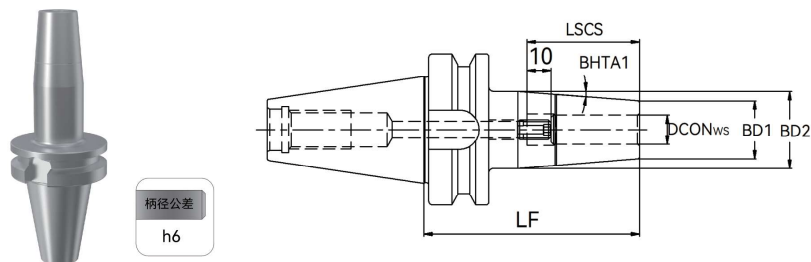
主轴型号	刀柄型号	尺寸 Size (mm)							卡簧
Spindle Model	Model No	DCON _{ws}	BD1	BD2	BD3	LF	LSCX	LB1	Collets
	DIN69893								
BT40	BT40-HCM12-110M	12	21.5	36.5	80	110	80	47	HC12
BT40	BT40-HCM20-110M	20	20	42	82	110	85	47	HC20

● 附件需单独订购 Accessories are sold separately

附件 Accessories	DCON _{ws} =12	DCON _{ws} =20
扳手 Hex Wrench	TSS	

BT 热装刀柄

BT Shrink Fit Toolholders



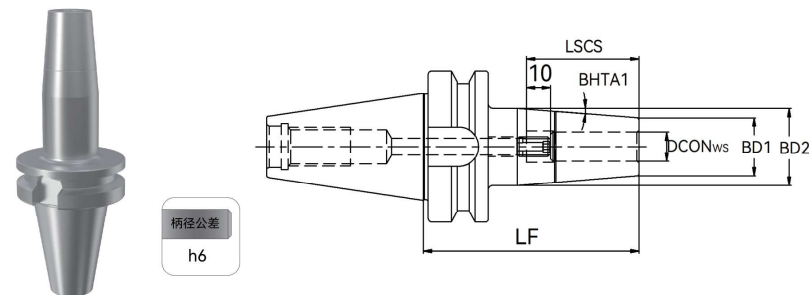
主轴型号 Spindle Model	刀柄型号 Model No JIS B6339-AD	尺寸 Size (mm)						卡簧 Collets
		DCON _{ws}	BD1	BD2	LF	LSCX	BHTA1	
BT30	BT30-SFX03-060	3	10	-	60	-	4.5	-
BT30	BT30-SFX04-060	4	10	-	60	-	4.5	-
BT30	BT30-SFX05-060	5	10	-	60	-	4.5	-
BT30	BT30-SFX06-080	6	21	27	80	36	4.5	SO05014C
BT30	BT30-SFX06-105	6	21	27	105	36	4.5	SO05014C
BT30	BT30-SFX06-120	6	21	27	120	36	4.5	SO05014C
BT30	BT30-SFX08-080	8	21	27	80	36	4.5	SO06014C
BT30	BT30-SFX08-105	8	21	27	105	36	4.5	SO06014C
BT30	BT30-SFX08-120	8	21	32	120	36	4.5	SO06014C
BT30	BT30-SFX10-080	10	24	32	80	42	4.5	SO08014C
BT30	BT30-SFX10-105	10	24	32	105	42	4.5	SO08014C
BT30	BT30-SFX10-120	10	24	32	120	42	4.5	SO08014C
BT30	BT30-SFX12-080	12	24	32	80	47	4.5	SO08014C
BT30	BT30-SFX12-105	12	24	32	105	47	4.5	SO08014C
BT30	BT30-SFX12-120	12	24	34	120	47	4.5	SO08014C
BT30	BT30-SFX14-080	14	27	34	80	47	4.5	SO08014C
BT30	BT30-SFX14-105	14	27	34	105	47	4.5	SO08014C
BT30	BT30-SFX14-120	14	27	34	120	47	4.5	SO08014C
BT30	BT30-SFX16-080	16	27	34	80	50	4.5	SO12014C
BT30	BT30-SFX16-105	16	27	34	105	50	4.5	SO12014C
BT30	BT30-SFX16-120	16	27	34	120	50	4.5	SO12014C

● 附件需单独订购 Accessories are sold separately

附件 Accessories	DCON _{ws} =3	DCON _{ws} =4	DCON _{ws} =5	DCON _{ws} =6	DCON _{ws} =8	DCON _{ws} =10	DCON _{ws} =12	DCON _{ws} =14	DCON _{ws} =16
扳手 Hex Wrench	-	-	-	S2.5	S3	S4	S4	S4	S6

BT 热装刀柄

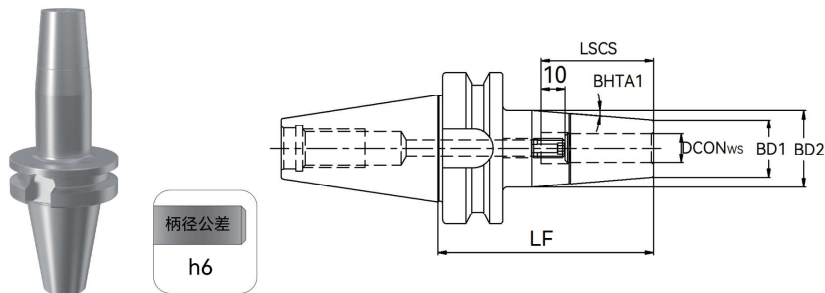
BT Shrink Fit Toolholders



主轴型号 Spindle Model	刀柄型号 Model No JIS B6339-AD	尺寸 Size (mm)						螺钉 Screw
		DCON _{ws}	BD1	BD2	LF	LSCX	Screw	
BT40	BT40-SFX03-080	3	10	-	80	-	-	-
BT40	BT40-SFX04-080	4	10	-	80	-	-	-
BT40	BT40-SFX05-080	5	10	-	80	-	-	-
BT40	BT40-SFX06-090	6	21	27	90	36	SO05014C	
BT40	BT40-SFX06-120	6	21	27	120	36	SO05014C	
BT40	BT40-SFX06-160	6	21	32	160	36	SO05014C	
BT40	BT40-SF08-090	8	21	27	90	36	SO06014C	
BT40	BT40-SF08-120	8	21	27	120	36	SO06014C	
BT40	BT40-SF08-160	8	21	32	160	36	SO06014C	
BT40	BT40-SF10-090	10	24	32	90	42	SO08014C	
BT40	BT40-SF10-120	10	24	32	120	42	SO08014C	
BT40	BT40-SF10-160	10	24	34	160	42	SO08014C	
BT40	BT40-SF12-090	12	24	32	90	47	SO08014C	
BT40	BT40-SF12-120	12	24	32	120	47	SO08014C	
BT40	BT40-SF12-160	12	24	34	160	47	SO08014C	
BT40	BT40-SF14-090	14	27	34	90	47	SO08014C	
BT40	BT40-SF14-120	14	27	34	120	47	SO08014C	
BT40	BT40-SF14-160	14	27	42	160	47	SO08014C	
BT40	BT40-SF16-090	16	27	34	90	50	SO12014C	
BT40	BT40-SF16-120	16	27	34	120	50	SO12014C	
BT40	BT40-SF16-160	16	27	42	160	50	SO12014C	
BT40	BT40-SF18-090	18	33	42	90	50	SO12014C	
BT40	BT40-SF18-120	18	33	42	120	50	SO12014C	
BT40	BT40-SF18-160	18	33	51	160	50	SO12014C	
BT40	BT40-SF20-090	20	33	42	90	52	SO16016C	

BT 热装刀柄

BT Shrink Fit Toolholders



主轴型号 Spindle Model	刀柄型号 Model No JIS B6339-AD	尺寸 Size (mm)					螺钉 Screw
		DCON _{ws}	BD1	BD2	LF	LSCX	
BT40	BT40-SF20-120	20	33	42	120	52	SO16016C
BT40	BT40-SF20-160	20	33	51	160	52	SO16017C
BT40	BT40-SF25-100	25	44	53	100	58	SO16018C
BT40	BT40-SF25-120	25	44	53	120	58	SO16019C
BT40	BT40-SF25-160	25	44	60	160	58	SO16020C

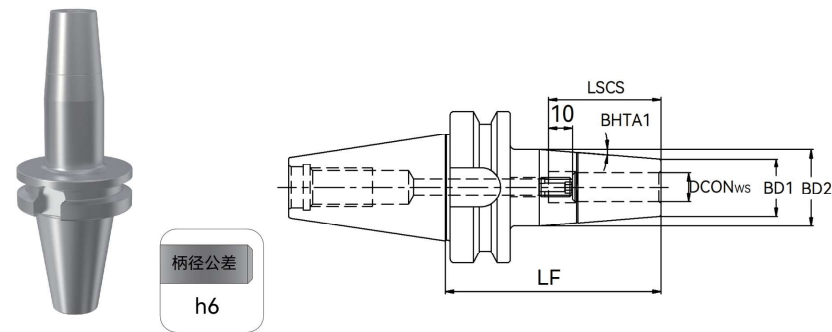
● 附件需单独订购 Accessories are sold separately

附件 Accessories	DCON _{ws} =3	DCON _{ws} =4	DCON _{ws} =5	DCON _{ws} =6	DCON _{ws} =8	DCON _{ws} =10	DCON _{ws} =12
扳手 Hex Wrench	-	-	-	S2.5	S3	S4	S4

附件 Accessories	DCON _{ws} =14	DCON _{ws} =16	DCON _{ws} =18	DCON _{ws} =20	DCON _{ws} =25
扳手 Hex Wrench	S4	S6	S6	S8	S8

BT 热装刀柄

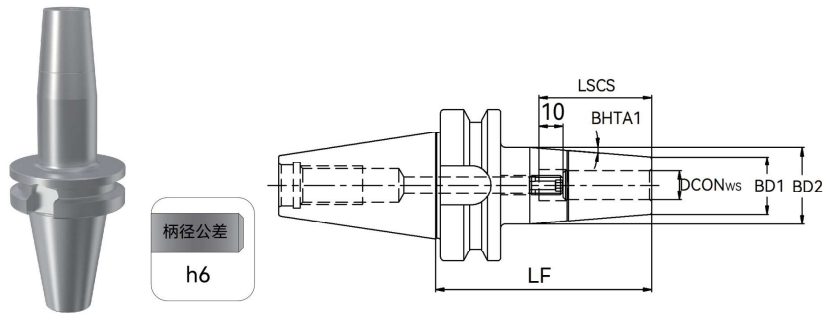
BT Shrink Fit Toolholders



主轴型号 Spindle Model	刀柄型号 Model No JIS B6339-AD	尺寸 Size (mm)					螺钉 Screw
		DCON _{ws}	BD1	BD2	LF	LSCX	
BT50	BT50-SFX06-100	6	21	27	100	36	SO05014C
BT50	BT50-SFX06-120	6	21	27	120	36	SO05014C
BT50	BT50-SFX06-160	6	21	32	160	36	SO05014C
BT50	BT50-SF08-100	8	21	27	100	36	SO06014C
BT50	BT50-SF08-120	8	21	27	120	36	SO06014C
BT50	BT50-SF08-160	8	21	32	160	36	SO06014C
BT50	BT50-SF10-100	10	24	32	100	42	SO08014C
BT50	BT50-SF10-120	10	24	32	120	42	SO08014C
BT50	BT50-SF10-160	10	24	34	160	42	SO08014C
BT50	BT50-SF12-100	12	24	32	100	47	SO08014C
BT50	BT50-SF12-120	12	24	32	120	47	SO08014C
BT50	BT50-SF12-160	12	24	34	160	47	SO08014C
BT50	BT50-SF14-100	14	27	34	100	47	SO08014C
BT50	BT50-SF14-120	14	27	34	120	47	SO08014C
BT50	BT50-SF14-160	14	27	42	160	47	SO08014C
BT50	BT50-SF16-100	16	27	34	100	50	SO12014C
BT50	BT50-SF16-120	16	27	34	120	50	SO12014C
BT50	BT50-SF16-160	16	33	42	160	50	SO12014C
BT50	BT50-SF18-100	18	33	42	100	50	SO12014C
BT50	BT50-SF18-120	18	33	42	120	50	SO12014C
BT50	BT50-SF18-160	18	33	51	160	50	SO12014C
BT50	BT50-SF20-100	20	33	42	100	52	SO16016C
BT50	BT50-SF20-120	20	33	42	120	52	SO16016C
BT50	BT50-SF20-160	20	33	51	160	52	SO16016C

BT 热装刀柄

BT Shrink Fit Toolholders



Spindle Model	Model No	DCON _{ws}	BD1	BD2	LF	LSCX	Screw
	JIS B6339-AD						
BT50	BT50-SF25-110	25	44	53	110	58	SO16016C
BT50	BT50-SF25-135	25	44	60	135	58	SO16016C
BT50	BT50-SF25-160	25	44	60	160	58	SO16016C
BT50	BT50-SF32-110	32	44	53	110	58	SO16016C
BT50	BT50-SF32-135	32	44	60	135	58	SO16016C
BT50	BT50-SF32-160	32	44	60	160	58	SO16016C

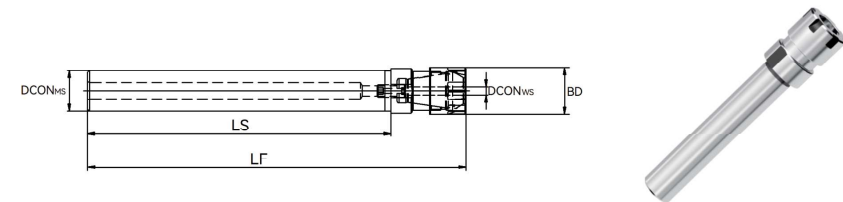
● 附件需单独订购 Accessories are sold separately

附件 Accessories	DCON _{ws} =6	DCON _{ws} =8	DCON _{ws} =10	DCON _{ws} =12	DCON _{ws} =14	DCON _{ws} =16	DCON _{ws} =18
扳手 Hex Wrench	S2.5	S3	S4	S4	S4	S6	S6

附件 Accessories	DCON _{ws} =20	DCON _{ws} =25	DCON _{ws} =32
扳手 Hex Wrench	S8	S8	S8

ER 卡簧接杆

ER Collet Chucks Extensions



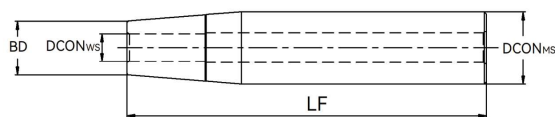
型号	尺寸 Size (mm)					螺母	螺钉	卡簧
Model	DCON _{ms}	BD	DCON _{ms}	LS	LF	Nuts	Screw	Collets
C16-ER11-050(M)	0.5-7	16	16	50	77	CNM11	SO06014C	ER11
C16-ER11-100(M)	0.5-7	16	16	100	127	CNM11	SO06014C	ER11
C20-ER16-050(M)	0.5-10	23	20	50	85	CNM16	SO06014C	ER16
C20-ER16-100(M)	0.5-10	23	20	100	135	CNM16	SO06014C	ER16
C20-ER16-150(M)	0.5-10	23	20	50	185	CNM16	SO06014C	ER16
C20-ER20-050(M)	1.0-13	28	20	100	88	CNM20	SO08014C	ER20
C20-ER20-100(M)	1.0-13	28	20	50	138	CNM20	SO08014C	ER20
C20-ER20-150(M)	1.0-13	28	20	100	188	CNM20	SO08014C	ER20
C25-ER20-050(M)	1.0-13	28	25	50	88	CNM20	SO08014C	ER20
C25-ER20-100(M)	1.0-13	28	25	100	138	CNM20	SO08014C	ER20
C25-ER20-150(M)	1.0-13	28	25	150	188	CNM20	SO08014C	ER20

● 附件需单独订购 Accessories are sold separately

附件 Accessories	ER11	ER16	ER20
扳手 Wrench	WM11	WM16	WM20

标准热装接杆

Standard Shrink Fit Extensions



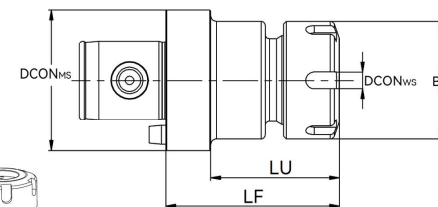
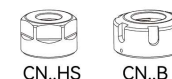
型号	尺寸 Size (mm)			
Model	DCON _{ws}	DCON _{ns}	BD	LF
C12-SFX03-160	3	12	8	160
C12-SFX04-160	4	12	8	160
C16-SFX03-160	3	16	10	160
C16-SFX04-160	4	16	10	160
C16-SFX05-160	5	16	10	160
C20-SFX05-160	5	20	14	160
C16-SFX06-160	6	16	10	160
C20-SFX06-160	6	20	14	160
C20-SF08-160	8	20	14	160
C25-SF08-160	8	25	19	160
C25-SF10-160	10	25	20	160
C25-SF12-160	12	25	20	160
C25-SF14-160	14	25	22	160
C25-SF16-160	16	25	24	160
C32-SF10-160	10	32	24	160
C32-SF12-160	12	32	24	160
C32-SF14-160	14	32	27	160
C32-SF16-160	16	32	27	160
C32-SF18-160	18	32	27	160
C32-SF20-160	20	32	27	160

● 附件需单独订购 Accessories are sold separately

附件 Accessories	DCON _{ws} =3	DCON _{ws} =4	DCON _{ws} =5	DCON _{ws} =6	DCON _{ws} =8	DCON _{ws} =10
扳手 Hex Wrench	-	-	-	S2.5	S3	S4

TMG21 ER 弹簧夹头刀柄模块

TMG21 ER Collet Chucks



型号	尺寸 Size (mm)					滑销	定位销	螺母	螺钉	卡簧
Model	DCON _{ws}	DCON _{ns}	BD	LF	LU	Floating pin	Orientation in	Nuts	Screw	Collets
21C.25-ER11-040	0.5-7	25	19	40	30	21A.25-E3	21A.25-E4	CN11HS	SO06010C	ER11
21C.25-ER16-040	0.5-10	25	28	40	30	21A.25-E3	21A.25-E4	CN16HS	-	ER16
21C.32-ER11-040	0.5-7	32	19	40	28	21A.32-E3	21A.32-E4	CN11HS	SO06014C	ER11
21C.32-ER16-040	0.5-10	32	28	40	28	21A.32-E3	21A.32-E4	CN16HS	-	ER16
21C.32-ER20-052	1.0-13	32	34	52	40	21A.32-E3	21A.32-E4	CN20HS	SO08010C	ER20
21C.40-ER11-040	0.5-7	40	19	40	26	21A.40-E3	21A.40-E4	CN11HS	SO06014C	ER11
21C.40-ER16-040	0.5-10	40	28	40	26	21A.40-E3	21A.40-E4	CN16HS	-	ER16
21C.40-ER20-052	1.0-13	40	34	52	38	21A.40-E3	21A.40-E4	CN20HS	-	ER20
21C.40-ER25-052	1.0-16	40	42	52	38	21A.40-E3	21A.40-E4	CN25B	-	ER25
21C.50-ER11-040	0.5-7	50	19	40	24	21A.50-E3	21A.50-E4	CN11HS	SO06014C	ER11
21C.50-ER16-040	0.5-10	50	28	40	24	21A.50-E3	21A.50-E4	CN16HS	-	ER16
21C.50-ER20-052	1.0-13	50	34	52	36	21A.50-E3	21A.50-E4	CN20HS	SO08010C	ER20
21C.50-ER25-062	1.0-16	50	42	62	46	21A.50-E3	21A.50-E4	CN25B	SER25C	ER25
21C.50-ER32-070	2.0-20	50	50	70	54	21A.50-E3	21A.50-E4	CN32B	SER32C	ER32
21C.63-ER11-040	0.5-7	63	19	40	20	21A.63-E3	21A.63-E4	CN11HS	-	ER11
21C.63-ER16-040	0.5-10	63	28	40	20	21A.63-E3	21A.63-E4	CN16HS	-	ER16
21C.63-ER20-052	1.0-13	63	34	52	32	21A.63-E3	21A.63-E4	CN20HS	SO08010C	ER20
21C.63-ER25-062	1.0-16	63	42	62	42	21A.63-E3	21A.63-E4	CN25B	SER20C	ER25
21C.63-ER32-070	2.0-20	63	50	70	50	21A.63-E3	21A.63-E4	CN32B	SER20C	ER32
21C.63-ER40-078	3.0-26	63	63	78	58	21A.63-E3	21A.63-E4	CN40B	SER20C	ER40

● 附件需单独订购 Accessories are sold separately

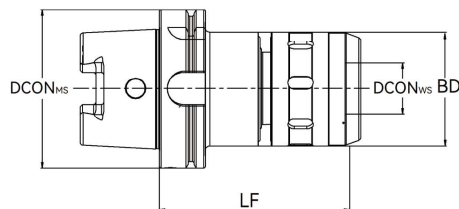
附件 Accessories	ER11	ER16	ER20	ER25	ER32	ER40
扳手 Wrench	W17D	W25D	W30D	YER25B	YER32B	YER40B

HSK 强力夹头刀柄

HSK Milling Chucks



柄径公差
h6



主轴型号 Spindle Model	刀柄型号 Model No DIN69893	尺寸 Size (mm)				卡簧 Collets
		DCON _{WS}	DCON _{MS}	BD	LF	
HSK-A63	HSK63A-C20-105	20	63	55	105	C20
HSK-A63	HSA63A-C25-110	25	63	62	110	C25
HSK-A63	HSK63A-C32-115	32	63	72	115	C32
HSK-A100	HSK100A-C20-110	20	100	55	110	C20
HSK-A100	HSK100A-C25-115	25	100	62	115	C25
HSK-A100	HSK100A-C32-120	32	100	72	120	C32
HSK-A100	HSK100A-C42-120	42	100	87	120	C42

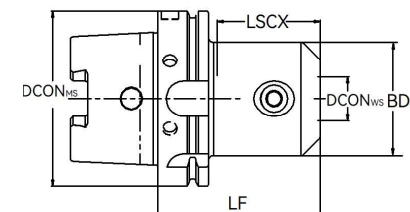
● 附件需单独订购 Accessories are sold separately

附件 Accessories	C20	C25	C32	C42
扳手 Wrench	WCN25	WCN32	WCN40	BS130UNT

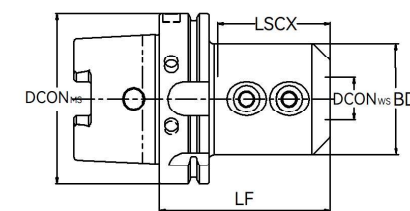
附件 Accessories	DCON _{MS} =63		DCON _{MS} =100	
冷却液套管 Coolant tubes	TU-HSK63		TU-HSK100	
扳手 Coolant tube Wrench	W-HSK63		W-HSK100	

HSK 侧固式刀柄

HSK Side Lock Holders



Type I



Type II

主轴型号 Spindle Model	刀柄型号 Model No DIN69893	尺寸 Size (mm)						型式	
		DCON _{WS}	DCON _{MS}	BD	LF	LSCX	Screw	Screw	
HSK-A63	HSK63A-XP16-080	16	63	48	80	52	SXP16	I	
HSK-A63	HSK63A-XP20-080	20	63	50	80	54	SXP20	I	
HSK-A63	HSA63A-XP25-110	25	63	60	110	66	SXP25	II	
HSK-A63	HSK63A-XP32-110	32	63	68	110	70	SXP32	II	
HSK-A100	HSK100A-XP16-100	16	100	48	100	52	SXP16	I	
HSK-A100	HSK100A-XP20-100	20	100	50	100	54	SXP20	I	
HSK-A100	HSK100A-XP25-105	25	100	60	105	66	SXP25	II	
HSK-A100	HSK100A-XP32-100	32	100	68	100	70	SXP32	II	
HSK-A100	HSK100A-XP40-120	40	100	84	120	80	SXP32	II	
HSK-A100	HSK100A-XP40-160	40	100	84	160	80	SXP32	II	

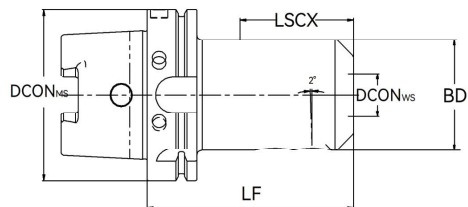
● 附件需单独订购 Accessories are sold separately

附件 Accessories	DCON _{WS} =16	DCON _{WS} =20	DCON _{WS} =25	DCON _{WS} =32	DCON _{WS} =40
扳手 Hex Wrench	S6	S8	S8	S10	S10

附件 Accessories	DCON _{MS} =63		DCON _{MS} =100	
冷却液套管 Coolant tubes	TU-HSK63		TU-HSK100	
扳手 Coolant tube Wrench	W-HSK63		W-HSK100	

HSK 2° 侧固式刀柄

HSK Side Lock Holders



主轴型号 Spindle Model	刀柄型号 Model No DIN69893	尺寸 Size (mm)					螺钉 Screw	螺钉 Screw
		DCON _{ws}	DCON _{hs}	BD	LF	LSCX		
HSK-A63	HSK63A-XP16-100	16	63	48	100	55	SXP16	SO12014C
HSK-A63	HSK63A-XP20-100	20	63	52	100	57	SXP20	SO16014C
HSK-A63	HSA63A-XP25-110	25	63	65	110	62	SXP25	SO20016C
HSK-A63	HSK63A-XP32-110	32	63	72	110	66	SXP32	SO20016C
HSK-A100	HSK100A-XP16-100	16	100	48	100	55	SXP16	SO12014C
HSK-A100	HSK100A-XP20-110	20	100	52	110	57	SXP20	SO16014C
HSK-A100	HSK100A-XP25-120	25	100	65	120	62	SXP25	SO20016C
HSK-A100	HSK100A-XP32-120	32	100	72	120	66	SXP32	SO20016C

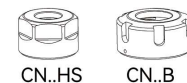
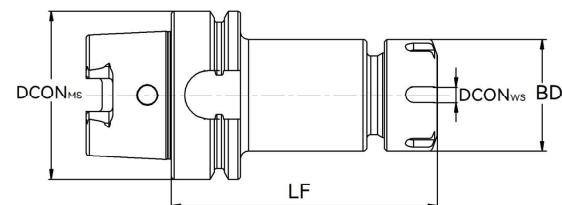
● 附件需单独订购 Accessories are sold separately

附件 Accessories	DCON _{ws} =16	DCON _{ws} =20	DCON _{ws} =25	DCON _{ws} =32
扳手 Hex Wrench	S6	S8	S8	S10

附件 Accessories	DCON _{hs} =63	DCON _{hs} =100
冷却液套管 Coolant tubes	TU-HSK63	TU-HSK100
扳手 Coolant tube Wrench	W-HSK63	W-HSK100

HSK ER 弹簧夹头刀柄

HSK ER Collet Chucks



主轴型号 Spindle Model	刀柄型号 Model No DIN69893	尺寸 Size (mm)				螺母 Nuts	螺钉 Screw	卡簧 Collets
		DCON _{ws}	DCON _{hs}	BD	LF			
HSK-A63	HSK63A-ER11-075	0.5-7	63	19	75	CN11HS	SER11C	ER11
HSK-A63	HSK63A-ER16-080	0.5-10	63	28	80	CN16HS	SER16C	ER16
HSK-A63	HSK63A-ER16-100	0.5-10	63	28	100	CN16HS	SER16C	ER16
HSK-A63	HSK63A-ER16-120	0.5-10	63	28	120	CN16HS	SER16C	ER16
HSK-A63	HSK63A-ER20-080	1.0-13	63	34	80	CN20HS	SER20C	ER20
HSK-A63	HSK63A-ER20-100	1.0-13	63	34	100	CN20HS	SER20C	ER20
HSK-A63	HSK63A-ER20-120	1.0-13	63	34	120	CN20HS	SER20C	ER20
HSK-A63	HSK63A-ER25-080	1.0-16	63	42	80	CN25B	SO08014C	ER25
HSK-A63	HSK63A-ER25-100	1.0-16	63	42	100	CN25B	SER25C	ER25
HSK-A63	HSK63A-ER25-120	1.0-16	63	42	120	CN25B	SER25C	ER25
HSK-A63	HSK63A-ER32-080	2.0-20	63	50	80	CN32B	SO08014C	ER32
HSK-A63	HSK63A-ER32-100	2.0-20	63	50	100	CN32B	SER32C	ER32
HSK-A63	HSK63A-ER32-120	2.0-20	63	50	120	CN32B	SER32C	ER32
HSK-A63	HSK63A-ER40-080	3.0-26	63	63	80	CN40B	/	ER40
HSK-A63	HSK63A-ER40-100	3.0-26	63	63	100	CN40B	SER40C	ER40
HSK-A63	HSK63A-ER40-120	3.0-26	63	63	120	CN40B	SER40C	ER40

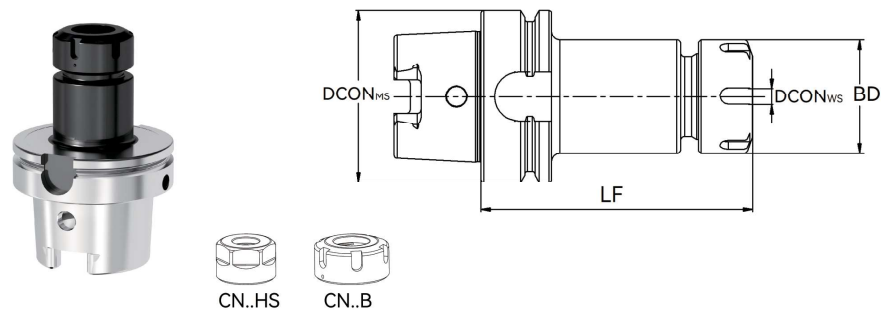
● 附件需单独订购 Accessories are sold separately

附件 Accessories	ER11	ER16	ER20	ER25	ER32	ER40
扳手 Hex Wrench	W17D	W25D	W30D	YER25B	YER32B	YER40B

附件 Accessories	DCON _{hs} =63
冷却液套管 Coolant tubes	TU-HSK63
扳手 Coolant tube Wrench	W-HSK63

HSK ER 弹簧夹头刀柄

HSK ER Collet Chucks



主轴型号 Spindle Model	刀柄型号 Model No DIN69893	尺寸 Size (mm)				螺母 Nuts	螺钉 Screw	卡簧 Collets
		DCON _{ws}	DCON _{ns}	BD	LF			
HSK-A100	HSK100A-ER16-100	0.5-10	100	28	100	SER16C	SER11C	ER16
HSK-A100	HSK100A-ER16-160	0.5-10	100	28	160	SER16C	SER16C	ER16
HSK-A100	HSK100A-ER20-100	1.0-13	100	34	100	SER20C	SER16C	ER20
HSK-A100	HSK100A-ER20-160	1.0-13	100	34	160	SER20C	SER16C	ER20
HSK-A100	HSK100A-ER25-100	1.0-16	100	42	100	SER25C	SER20C	ER25
HSK-A100	HSK100A-ER25-160	1.0-16	100	42	160	SER25C	SER20C	ER25
HSK-A100	HSK100A-ER32-100	2.0-20	100	50	100	SER32C	SER20C	ER32
HSK-A100	HSK100A-ER32-160	3.0-26	100	63	160	SER32C	SO08014C	ER32
HSK-A100	HSK100A-ER40-100	3.0-26	100	63	100	SER40C	SER25C	ER40
HSK-A100	HSK100A-ER40-120	3.0-26	100	63	120	SER40C	SER25C	ER40
HSK-A100	HSK100A-ER40-160	3.0-26	100	63	160	SER40C	SO08014C	ER40

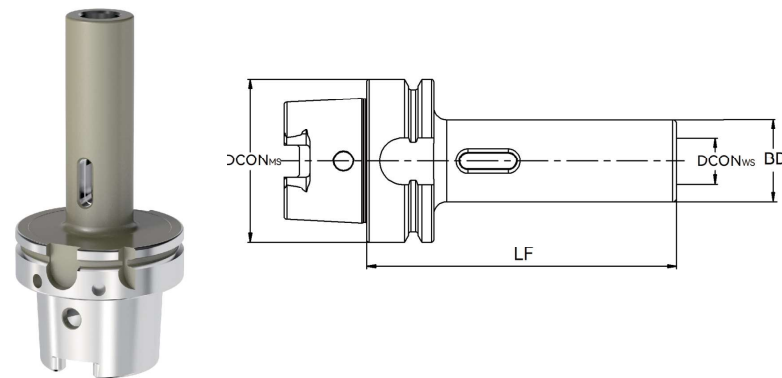
● 附件需单独订购 Accessories are sold separately

附件 Accessories	ER11	ER16	ER20	ER25	ER32	ER40
扳手 Hex Wrench	W17D	W25D	W30D	YER25B	YER32B	YER40B

附件 Accessories	DCON _{ns} =100					
冷却液套管 Coolant tubes	TU-HSK63					
扳手 Coolant tube Wrench	W-HSK63					

HSK 有扁尾莫氏圆锥孔刀柄

HSK Morse Taper Holders with Tang



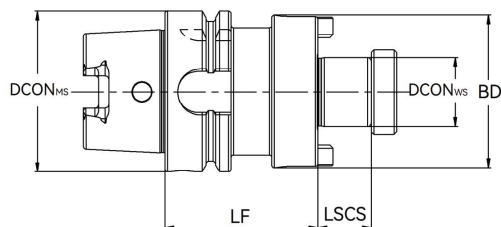
主轴型号 Spindle Model	刀柄型号 Model No DIN69893	莫氏锥度 Morse taper	对应安装铣刀直径 (mm) Corresponding to installed milling cutter diameter	尺寸 Size (mm)			
				DCON _{ns}	BD	DCON _{ws}	LF
HSK-A63	HSK63A-M1-100	MT1	3-14	63	25	12.065	100
HSK-A63	HSK63A-M2-120	MT2	14.25-23.0	63	32	17.78	120
HSK-A63	HSK63A-M3-140	MT3	23.25-23	63	40	23.825	140
HSK-A63	HSK63A-M4-160	MT4	32-50.5	63	48	31.267	160
HSK-A100	HSK100A-M1-110	MT1	3-14	100	25	12.065	100
HSK-A100	HSK100A-M2-120	MT2	14.25-23.0	100	32	17.78	120
HSK-A100	HSK100A-M3-150	MT3	23.25-23	100	40	23.825	150
HSK-A100	HSK100A-M4-170	MT4	32-50.5	100	48	31.267	170
HSK-A100	HSK100A-M5-200	MT5	51-56	100	63	44.399	200

● 附件需单独订购 Accessories are sold separately

附件 Accessories	DCON _{ns} =63	DCON _{ns} =100
冷却液套管 Coolant tubes	TU-HSK63	TU-HSK100
扳手 Coolant tube Wrench	W-HSK63	W-HSK100

HSK 套式立铣刀刀柄

HSK Shell Mill Holders



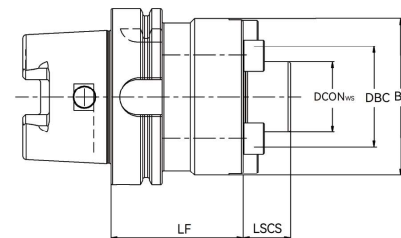
主轴型号 Spindle Model	刀柄型号 Model No DIN69893	尺寸 Size (mm)					螺钉1 Screw	键 Key	螺钉2 Screw
		DCON _{WS}	DCON _{MS}	BD	LF	LF			
		HSK-A63	HSK-63A-XMB16-050	16	63	34			
HSK-A63	HSK-63A-XMB16-100	16	63	34	100	17	MS08030	JC08017	MS03008
HSK-A63	HSK-63A-XMB22-050	22	63	42	50	19	MS10030	JC10021	MS04010
HSK-A63	HSK-63A-XMB22-100	23	63	42	100	19	MS10030	JC10021	MS04010
HSK-A63	HSK-63A-XMB27-060	27	63	60	60	21	SXM27	JC12023	MS05016
HSK-A63	HSK-63A-XMB27-120	27	63	60	120	21	SXM27	JC12023	MS05016
HSK-A63	HSK-63A-XMB32-060	32	63	78	60	24	SXM32	JC14020	MS06020
HSK-A63	HSK-63A-XMB32-100	32	63	78	100	24	SXM32	JC14020	MS06020
HSK-A63	HSK-63A-XMB40-060	40	63	89	60	27	SXM40	KXM40	MS08020
HSK-A100	HSK-100A-XMB22-050	22	100	42	50	19	MS10030	JC10021	MS04010
HSK-A100	HSK-100A-XMB22-100	22	100	42	100	19	MS10030	JC10021	MS04010
HSK-A100	HSK-100A-XMB27-050	27	100	60	50	21	SXM27	JC12023	MS05016
HSK-A100	HSK-100A-XMB27-100	27	100	60	100	21	SXM27	JC12023	MS05016
HSK-A100	HSK-100A-XMB32-050	32	100	78	50	24	SXM32	JC14020	MS06020
HSK-A100	HSK-100A-XMB32-100	32	100	78	100	24	SXM32	JC14020	MS06020
HSK-A100	HSK-100A-XMB40-060	40	100	89	60	27	SXM40	KXM40	MS08020
HSK-A100	HSK-100A-XMB40-100	40	100	89	100	27	SXM40	KXM40	MS08020

● 附件需单独订购 Accessories are sold separately

附件 Accessories	DCON _{WS} =16	DCON _{WS} =22	DCON _{WS} =27	DCON _{WS} =32	DCON _{WS} =40
扳手 Hex Wrench	S6	S8	S10	S14	S17
附件 Accessories	DCON _{MS} =63			DCON _{MS} =100	
冷却液套管 Coolant tubes	TU-HSK63			TU-HSK100	
扳手 Coolant tube Wrench	W-HSK63			W-HSK100	

HSK 面铣刀刀柄

HSK Face Mill Holders



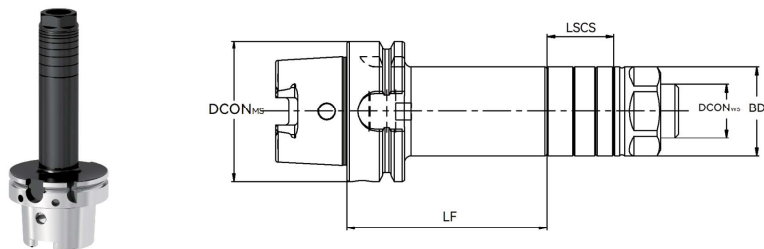
主轴型号 Spindle Model	刀柄型号 Model No DIN69893	尺寸 Size (mm)					螺钉1 Screw	键 Key	螺钉2 Screw
		DCON _{WS}	BD	DBC	LF	LSCS			
		HSK-A100	HSK100A-XMC40-075	40	89	66.7			
HSK-A100	HSK100A-XMC60-075	60	129	101.6	75	38	MS16045(4)	KXMC60	MS10025

● 附件需单独订购 Accessories are sold separately

附件 Accessories	DCON _{WS} =40	DCON _{WS} =60
扳手 Hex Wrench	S10	S14
附件 Accessories	DCON _{MS} =100	
冷却液套管 Coolant tubes	TU-HSK100	
扳手 Coolant tube Wrench	W-HSK100	

HSK 三面刃铣刀刀柄

HSK Solting Cutter Holders



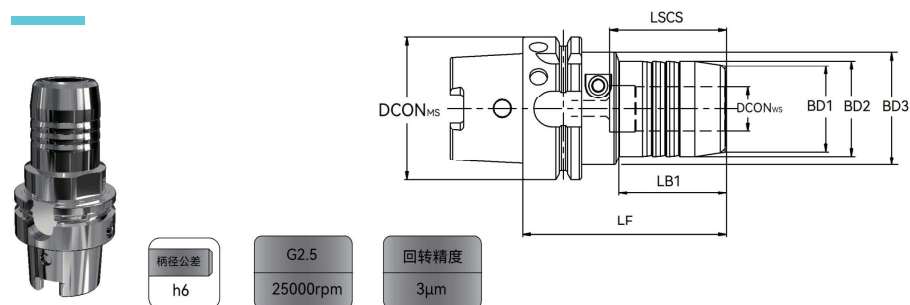
主轴型号 Spindle Model	刀柄型号 Model No DIN69893	尺寸 Size (mm)					螺母 nuts	垫圈 Washer	键 Key
		DCON _{ms}	DCON _{ns}	BD	LF	LSCS			
HSK-A63	HSK-63A-XS13-075	13	63	20	75	30	MXS13	SD13	-
HSK-A63	HSK-63A-XS16-090	16	63	26	90	30	MXS16	SD16	JA04020
HSK-A63	HSK-63A-XS16-120	16	63	26	120	30	MXS16	SD16	JA04020
HSK-A63	HSK-63A-XS22-090	22	63	34	90	30	MXS22	SD22	JA06020
HSK-A63	HSK-63A-XS22-135	22	63	34	135	30	MXS22	SD22	JA06020
HSK-A63	HSK-63A-XS27-090	27	63	40	90	30	MXS27	SD27	JA07022
HSK-A63	HSK-63A-XS27-135	27	63	40	135	30	MXS27	SD27	JA07022
HSK-A63	HSK-63A-XS32-090	32	63	46	90	30	MXS32	SD32	JA08022
HSK-A63	HSK-63A-XS32-135	32	63	46	135	30	MXS32	SD32	JA08022
HSK-A100	HSK-100A-XS13-075	13	100	20	75	30	MXS13	SD13	-
HSK-A100	HSK-100A-XS16-090	16	100	26	90	30	MXS16	SD16	JA04020
HSK-A100	HSK-100A-XS16-120	16	100	26	120	30	MXS16	SD16	JA04020
HSK-A100	HSK-100A-XS22-090	22	100	34	90	30	MXS22	SD22	JA06020
HSK-A100	HSK-100A-XS22-135	22	100	34	135	30	MXS22	SD22	JA06020
HSK-A100	HSK-100A-XS27-090	27	100	40	90	30	MXS27	SD27	JA07022
HSK-A100	HSK-100A-XS27-135	27	100	40	135	30	MXS27	SD27	JA07022
HSK-A100	HSK-100A-XS32-090	32	100	46	90	30	MXS32	SD32	JA08022
HSK-A100	HSK-100A-XS32-135	32	100	46	135	30	MXS32	SD32	JA08022
HSK-A100	HSK-100A-XS40-090	40	100	55	90	30	MXS40	SD40	JA10025
HSK-A100	HSK-100A-XS40-135	40	100	55	135	30	MXS40	SD40	JA10025

● 附件需单独订购 Accessories are sold separately

附件 Accessories	DCON _{ms} =63	DCON _{ms} =100
冷却液套管 Coolant tubes	TU-HSK63	TU-HSK100
扳手 Coolant tube Wrench	W-HSK63	W-HSK100

HSK 液压刀柄

HSK Hydraulic Chucks



柄径公差 h6	G2.5 25000rpm	回转精度 3μm
------------	------------------	-------------

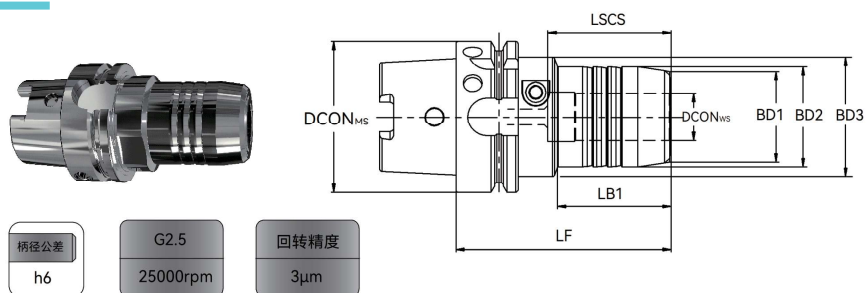
主轴型号 Spindle Model	刀柄型号 Model No DIN69893	尺寸 Size (mm)							螺钉 Screw	卡簧 Collets	
		DCON _{ms}	DCON _{ns}	BD1	BD2	BD3	LF	LSCX			LB1
HSK-A63	HSK63A-HCM06-070	6	63	22	26	50	70	37	24	HCSO05014C	-
HSK-A63	HSK63A-HCM08-070	8	63	24	28	50	70	37	25	HCSO06014C	-
HSK-A63	HSK63A-HCM10-080	10	63	26	30	50	80	41	35	HCSO08014C	-
HSK-A63	HSK63A-HCM12-085	12	63	28	32	50	85	46	40	HCSO08014C	HC12
HSK-A63	HSK63A-HCM16-090	16	63	34	38	50	90	49	46	HCSO08014C	-
HSK-A63	HSK63A-HCM20-090	20	63	38	42	50	90	51	48	HCSO08014C	HC20
HSK-A63	HSK63A-HCM25-120	25	63	53	57	63	120	57	59	HCSO12014C	-
HSK-A63	HSK63A-HCM32-125	32	63	60	64	75	125	61	63	HCSO12014C	HC32
HSK-A100	HSK100A-HCM06-075	6	100	22	26	50	75	37	26	HCSO05014C	-
HSK-A100	HSK100A-HCM08-075	8	100	24	28	50	75	37	26	HCSO06014C	-
HSK-A100	HSK100A-HCM10-090	10	100	26	30	50	90	41	42	HCSO08014C	-
HSK-A100	HSK100A-HCM12-095	12	100	28	32	50	95	46	47	HCSO08014C	HC12
HSK-A100	HSK100A-HCM16-100	16	100	34	38	50	100	49	53	HCSO08014C	-
HSK-A100	HSK100A-HCM20-105	20	100	38	42	50	105	51	51	HCSO08014C	HC20
HSK-A100	HSK100A-HCM25-110	25	100	53	57	63	110	57	62	HCSO12014C	-
HSK-A100	HSK100A-HCM32-110	32	100	60	64	75	110	61	62	HCSO12014C	HC32

● 附件需单独订购 Accessories are sold separately

附件 Accessories	DCON _{ms} =6	DCON _{ms} =8	DCON _{ms} =10	DCON _{ms} =12	DCON _{ms} =16	DCON _{ms} =20	DCON _{ms} =32
扳手 Hex Wrench	TS5						TS6
附件 Accessories	DCON _{ms} =63			DCON _{ms} =100			
冷却液套管 Coolant tubes	TU-HSK63			TU-HSK100			
扳手 Coolant tube Wrench	W-HSK63			W-HSK100			

HSK 液压刀柄

HSK Hydraulic Chucks

柄径公差
h6G2.5
25000rpm回转精度
3μm

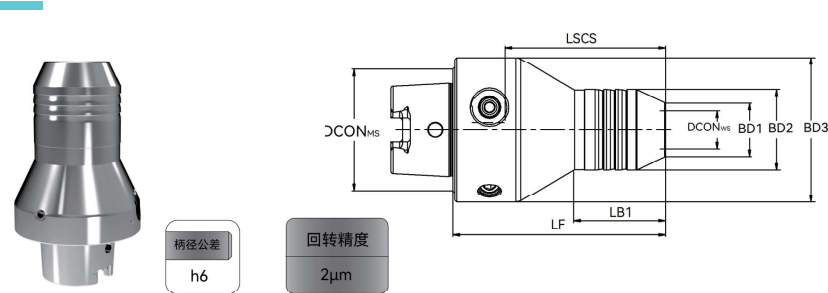
主轴型号	刀柄型号	尺寸 Size (mm)								螺钉	卡簧
Spindle Model	Model No	DCON _{ws}	DCON _{Ms}	BD1	BD2	BD3	LF	LSCX	LB1	Screw	Collets
	DIN69893										
HSK-A63	BT30-HCM06-50.8	6	63	22	26	50	150	37	103	HCSO05014C	-
HSK-A63	BT30-HCM08-50.8	8	63	24	28	50	150	37	104	HCSO06014C	-
HSK-A63	BT30-HCM10-50.8	10	63	26	30	50	150	41	104	HCSO08014C	-
HSK-A63	BT30-HCM12-50.8	12	63	28	32	50	150	46	105	HCSO08014C	HC12
HSK-A63	BT30-HCM16-090	14	63	30	34	50	150	46	105	HCSO08014C	-
HSK-A63	BT30-HCM20-090	16	63	34	38	50	150	49	106	HCSO08014C	-
HSK-A63	BT40-HCM06-090	18	63	36	40	50	150	49	107	HCSO08014C	-
HSK-A63	BT40-HCM08-090	20	63	38	42	50	150	51	108	HCSO08014C	HC20
HSK-A63	BT40-HCM10-090	6	63	22	26	50	200	37	153	HCSO05014C	-
HSK-A63	BT40-HCM12-090	8	63	24	28	50	200	37	154	HCSO06014C	-
HSK-A63	BT40-HCM14-090	10	63	26	30	50	200	41	154	HCSO08014C	-
HSK-A63	BT40-HCM16-090	12	63	28	32	50	200	46	155	HCSO08014C	HC12
HSK-A63	BT40-HCM20-090	14	63	30	34	50	200	46	155	HCSO08014C	-
HSK-A63	BT40-HCM25-083	16	63	34	38	50	200	49	156	HCSO08014C	-
HSK-A63	BT40-HCM32-083	18	63	36	40	50	200	49	157	HCSO08014C	-
HSK-A63	BT50-HCM12-090	20	63	38	42	50	200	51	158	HCSO08014C	HC20
HSK-A100	BT50-HCM16-090	12	100	28	32	50	150	46	102	HCSO08014C	HC12
HSK-A100	BT50-HCM20-090	20	100	38	42	50	150	51	104	HCSO08014C	HC20

● 附件需单独订购 Accessories are sold separately

附件 Accessories	DCON _{ws} =6	DCON _{ws} =8	DCON _{ws} =10	DCON _{ws} =12	DCON _{ws} =16	DCON _{ws} =20	DCON _{ws} =32
扳手 Hex Wrench	TS5						TS6
附件 Accessories	DCON _{ws} =63			DCON _{ws} =100			
冷却液套管 Coolant tubes	TU-HSK63			TU-HSK100			
扳手 Coolant tube Wrench	W-HSK63			W-HSK100			

HSK 工具磨液压刀柄

HSK Tool Grinding Hydraulic Chucks

柄径公差
h6回转精度
2μm

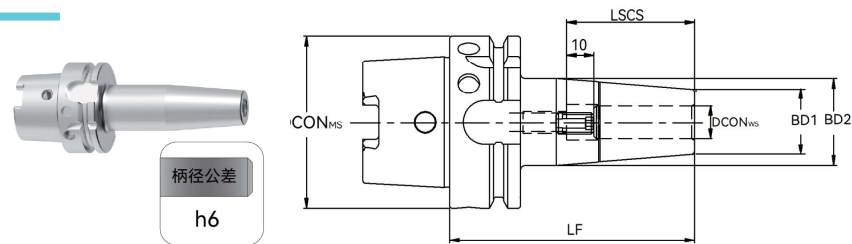
主轴型号	刀柄型号	尺寸 Size (mm)								螺钉	卡簧
Spindle Model	Model No	DCON _{ws}	DCON _{Ms}	BD1	BD2	BD3	LF	LSCX	LB1	Screw	Collets
	DIN69893										
HSK-A63	HSK63C-HCM12-110M	12	63	21.5	36.5	75	110	83	47	-	HC12
HSK-A63	HSK63C-HCM20-110M	20	63	28	42	75	110	83	47	-	HC20
HSK-A63	HSK63C-HCM32-110M	32	63	40	54	80	110	83	62.5	-	HC32

● 附件需单独订购 Accessories are sold separately

附件 Accessories	DCON _{ws} =12	DCON _{ws} =20	DCON _{ws} =30
扳手 Hex Wrench	TS5		

HSK-A 热装刀柄

HSK-A Shrink Fit Toolholders



主轴型号 Spindle Model	刀柄型号 Model No DIN69893	尺寸 Size (mm)						螺钉 Screw
		DCON _{WS}	DCON _{WS}	BD1	BD2	LF	LSCX	
HSK-A63	HSK63A-SFX03-080	3	63	10	-	80	-	-
HSK-A63	HSK63A-SFX04-080	4	63	10	-	80	-	-
HSK-A63	HSK63A-SFX05-080	5	63	10	-	80	-	-
HSK-A63	HSK63A-SFX06-080	6	63	27	21	80	36	SO05014C
HSK-A63	HSK63A-SFX06-120	6	63	27	21	120	36	SO05014C
HSK-A63	HSK63A-SFX06-160	6	63	32	21	160	36	SO05014C
HSK-A63	HSK63A-SF08-080	8	63	27	21	80	36	SO06014C
HSK-A63	HSK63A-SF08-120	8	63	27	21	120	36	SO06014C
HSK-A63	HSK63A-SF08-160	8	63	32	21	160	36	SO06014C
HSK-A63	HSK63A-SF10-085	10	63	32	24	85	42	SO08014C
HSK-A63	HSK63A-SF10-120	10	63	32	24	120	42	SO08014C
HSK-A63	HSK63A-SF10-160	10	63	34	24	160	42	SO08014C
HSK-A63	HSK63A-SF12-090	12	63	32	24	90	47	SO08014C
HSK-A63	HSK63A-SF12-120	12	63	32	24	120	47	SO08014C
HSK-A63	HSK63A-SF12-160	12	63	34	24	160	47	SO08014C
HSK-A63	HSK63A-SF14-090	14	63	34	27	90	47	SO08014C
HSK-A63	HSK63A-SF14-120	14	63	34	27	120	47	SO08014C
HSK-A63	HSK63A-SF14-160	14	63	42	27	160	47	SO08014C
HSK-A63	HSK63A-SF16-095	16	63	34	27	95	50	SO12014C
HSK-A63	HSK63A-SF16-120	16	63	34	27	120	50	SO12014C
HSK-A63	HSK63A-SF16-160	16	63	42	27	160	50	SO12014C
HSK-A63	HSK63A-SF18-095	18	63	42	33	95	50	SO12014C
HSK-A63	HSK63A-SF18-120	18	63	42	33	120	50	SO12014C
HSK-A63	HSK63A-SF18-160	18	63	51	33	160	50	SO12014C
HSK-A63	HSK63A-SF20-100	20	63	42	33	100	52	SO16016C
HSK-A63	HSK63A-SF20-120	20	63	42	33	120	52	SO16016C
HSK-A63	HSK63A-SF20-160	20	63	51	33	160	52	SO16016C
HSK-A63	HSK63A-SF25-115	25	63	53	44	115	58	SO16016C
HSK-A63	HSK63A-SF25-160	25	63	60	44	160	58	SO16016C

HSK-A 热装刀柄

HSK-A Shrink Fit Toolholders

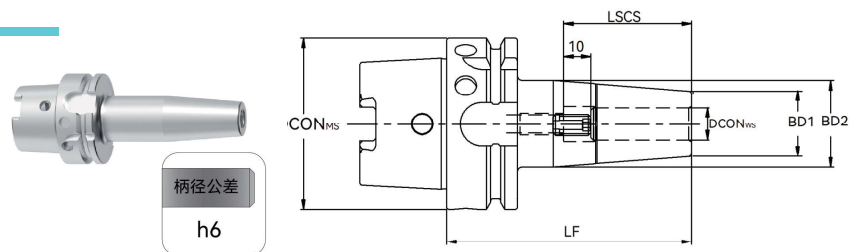
● 附件需单独订购 Accessories are sold separately

附件 Accessories	DCONWS=3	DCONWS=4	DCONWS=5	DCONWS=6	DCONWS=8	DCONWS=10	DCONWS=12	DCONWS=14
扳手 Hex Wrench	-	-	-	S2.5	S3	S4	S4	S4

附件 Accessories	DCON _{WS} =16	DCON _{WS} =18	DCON _{WS} =20	DCON _{WS} =25
扳手 Hex Wrench	S6		S8	
附件 Accessories	DCON _{WS} =63			
冷却液套管 Coolant tubes	TU-HSK63			
扳手 Coolant tube Wrench	W-HSK63			

HSK-A 热装刀柄

HSK-A Shrink Fit Toolholders



主轴型号 Spindle Model	刀柄型号 Model No DIN69893	尺寸 Size (mm)						螺钉 Screw
		DCON _{HS}	DCON _{HS}	BD1	BD2	LF	LSCX	
HSK-A100	HSK100A-SFX06-085	6	100	21	27	85	36	SO05014C
HSK-A100	HSK100A-SFX06-120	6	100	21	27	120	36	SO05014C
HSK-A100	HSK100A-SFX06-160	6	100	21	32	160	36	SO05014C
HSK-A100	HSK100A-SF08-085	8	100	21	27	85	36	SO06014C
HSK-A100	HSK100A-SF08-120	8	100	21	27	120	36	SO06014C
HSK-A100	HSK100A-SF08-160	8	100	21	32	160	36	SO06014C
HSK-A100	HSK100A-SF10-090	10	100	24	32	90	42	SO08014C
HSK-A100	HSK100A-SF10-120	10	100	24	32	120	42	SO08014C
HSK-A100	HSK100A-SF10-160	10	100	24	34	160	42	SO08014C
HSK-A100	HSK100A-SF12-095	12	100	24	32	95	47	SO08014C
HSK-A100	HSK100A-SF12-120	12	100	24	32	120	47	SO08014C
HSK-A100	HSK100A-SF12-160	12	100	24	34	160	47	SO08014C
HSK-A100	HSK100A-SF14-095	14	100	27	34	95	47	SO08014C
HSK-A100	HSK100A-SF14-120	14	100	27	34	120	47	SO08014C
HSK-A100	HSK100A-SF14-160	14	100	27	42	160	47	SO08014C
HSK-A100	HSK100A-SF16-100	16	100	27	34	100	50	SO12014C
HSK-A100	HSK100A-SF16-120	16	100	27	34	120	50	SO12014C
HSK-A100	HSK100A-SF16-160	16	100	27	42	160	50	SO12014C
HSK-A100	HSK100A-SF18-100	18	100	33	42	100	50	SO12014C
HSK-A100	HSK100A-SF18-120	18	100	33	42	120	50	SO12014C
HSK-A100	HSK100A-SF18-160	18	100	33	51	160	50	SO12014C
HSK-A100	HSK100A-SF20-105	20	100	33	42	105	52	SO16016C
HSK-A100	HSK100A-SF20-120	20	100	33	42	120	52	SO16016C
HSK-A100	HSK100A-SF20-160	20	100	33	51	160	52	SO16016C
HSK-A100	HSK100A-SF25-115	25	100	44	53	115	58	SO16016C
HSK-A100	HSK100A-SF25-160	25	100	44	60	160	58	SO16016C
HSK-A100	HSK100A-SF32-120	32	100	44	53	120	58	SO16016C
HSK-A100	HSK100A-SF32-160	32	100	44	60	160	58	SO16016C

HSK-A 热装刀柄

HSK-A Shrink Fit Toolholders

● 附件需单独订购 Accessories are sold separately

附件 Accessories	DCON _{HS} =3	DCON _{HS} =4	DCON _{HS} =5	DCON _{HS} =6	DCON _{HS} =8	DCON _{HS} =10	DCON _{HS} =12	DCON _{HS} =14
扳手 Hex Wrench	-	-	-	S2.5	S3	S4	S4	S4

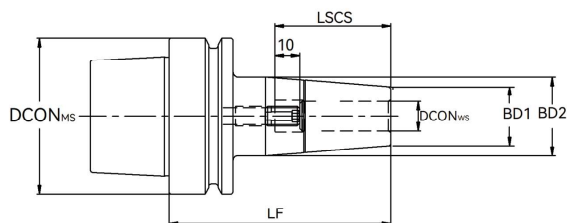
附件 Accessories	DCON _{HS} =16	DCON _{HS} =18	DCON _{HS} =20	DCON _{HS} =25
扳手 Hex Wrench	S6		S8	
附件 Accessories	DCON _{HS} =63			
冷却液套管 Coolant tubes	TU-HSK63			
扳手 Coolant tube Wrench	W-HSK63			

HSK-E 热装刀柄

HSK-E Shrink Fit Toolholders



柄径公差
h6



主轴型号 Spindle Model	刀柄型号 Model No DIN69893	尺寸 Size (mm)						螺钉 Screw
		DCON _{ws}	DCON _{ms}	BD1	BD2	LF	LSCX	
HSK-E40	HSK40E-SFX03-060	3	40	10	-	60	-	-
HSK-E40	HSK40E-SFX04-060	4	40	10	-	60	-	-
HSK-E40	HSK40E-SFX05-060	5	40	10	-	60	-	-
HSK-E40	HSK40E-SFX06-080	6	40	21	27	80	36	SO05014C
HSK-E40	HSK40E-SF08-080	8	40	21	27	80	36	SO06014C
HSK-E40	HSK40E-SF10-080	10	40	24	32	80	42	SO08014C
HSK-E40	HSK40E-SF12-090	12	40	24	32	90	47	SO08014C
HSK-E40	HSK40E-SF14-090	14	40	27	34	90	47	SO08014C
HSK-E40	HSK40E-SF16-090	16	40	27	34	90	50	SO12014C

● 附件需单独订购 Accessories are sold separately

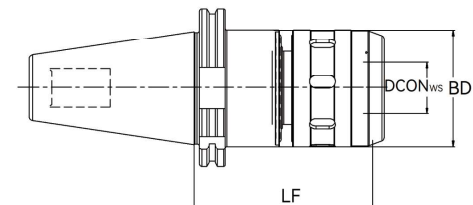
附件 Accessories	DCON _{ms} =3	DCON _{ms} =4	DCON _{ms} =5	DCON _{ms} =6	DCON _{ms} =8	DCON _{ms} =10	DCON _{ms} =12	DCON _{ms} =14
扳手 Hex Wrench	-	-	-	S2.5	S3	S4	S4	S4
附件 Accessories	DCON _{ms} =16			-				
扳手 Hex Wrench	S6			-				
附件 Accessories	DCON _{ms} =63							
附件 Accessories	DCON _{ms} =63				DCON _{ms} =100			
冷却液软管 Coolant tubes	TU-HSK63				TU-HSK100			
扳手 Coolant tube Wrench	W-HSK63				W-HSK100			

JT强力夹头刀柄

JT Milling Chucks



柄径公差
h6



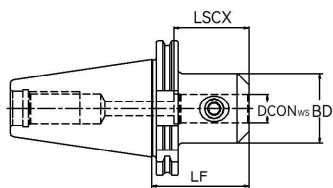
主轴型号 Spindle Model	刀柄型号 Model No DIN69871-AD	尺寸 Size (mm)			卡簧 Collets
		DCON _{ws}	BD	LF	
JT40	JT40-C20-095	20	55	95	C20
JT40	JT40-C25-100	25	62	100	C25
JT40	JT40-C32-105	32	72	105	C32
JT50	JT50-C20-105	20	55	105	C20
JT50	JT50-C25-110	25	62	110	C25
JT50	JT50-C32-110	32	72	110	C32
JT50	JT50-C42-110	42	87	110	C42

● 附件需单独订购 Accessories are sold separately

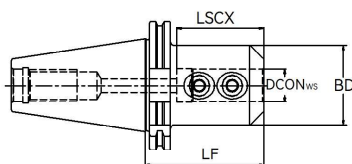
附件 Accessories	C20	C25	C32	C42
扳手 Wrench	WCN25	WCN32	WCN40	BS130UNT

JT侧固式刀柄

JT Side Lock Holders



Type I

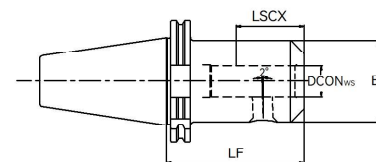


Type II

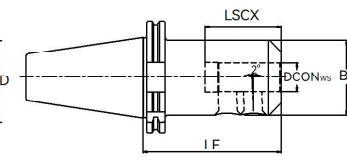
主轴型号 Spindle Model	刀柄型号 Model No DIN 69871-AD	尺寸 Size (mm)				螺钉 Screw	型式 Type
		DCON _{ws}	BD	LF	LSCX		
JT40	JT40-XP16-063	16	48	63	52	SXP16	I
JT40	JT40-XP20-070	20	50	70	54	SXP20	I
JT40	JT40-XP25-100	25	60	100	66	SXP25	II
JT40	JT40-XP32-100	32	68	100	70	SXP32	II
JT50	JT50-XP16-063	16	48	63	52	SXP16	I
JT50	JT50-XP20-063	20	50	63	54	SXP20	I
JT50	JT50-XP25-080	25	60	80	66	SXP25	II
JT50	JT50-XP32-100	32	68	100	70	SXP32	II
JT50	JT50-XP40-110	40	84	110	80	SXP32	II

JT 2° 侧固式刀柄 2°

JT Side Lock Holders



Type I



Type II

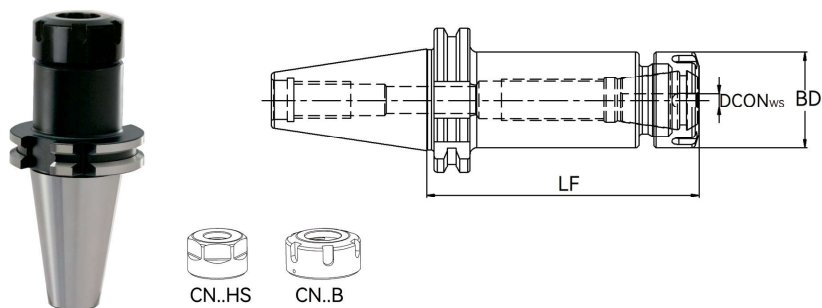
主轴型号 Spindle Model	刀柄型号 Model No DIN69871-AD	尺寸 Size (mm)				螺钉 Screw	螺钉 Screw	型式 Type
		DCON _{ws}	BD	LF	LSCX			
JT40	JT40-XP16-063	16	48	63	55	SXP16	SO12014C	I
JT40	JT40-XP20-070	20	52	70	57	SXP20	SO16016C	I
JT40	JT40-XP25-100	25	65	100	62	SXP25	SO20016C	II
JT40	JT40-XP32-100	32	72	100	63	SXP32	SO20016C	II
JT50	JT50-XP16-063	16	48	63	55	SXP16	SO12014C	I
JT50	JT50-XP20-063	20	52	63	57	SXP20	SO16016C	I
JT50	JT50-XP25-080	25	65	80	62	SXP25	SO20016C	II
JT50	JT50-XP32-100	32	72	100	63	SXP32	SO20016C	II

● 附件需单独订购 Accessories are sold separately

附件 Accessories	DCON _{ws} =16	DCON _{ws} =20	DCON _{ws} =25	DCON _{ws} =32
扳手 Hex Wrench	S6	S8	S8	S10

JT ER 弹簧夹头刀柄

JT ER Collet Chucks



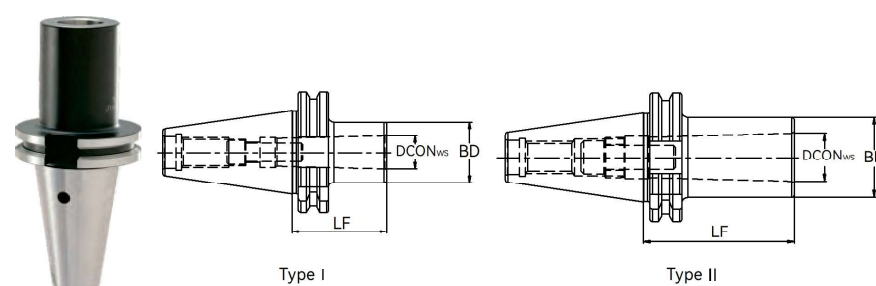
主轴型号 Spindle Model	刀柄型号 Model No	尺寸 Size (mm)			螺母 Nuts	螺钉 Screw	卡簧 Collets
	DIN69871-AD	DCON _{ws}	BD	LF			
JT40	JT40-ER11-070	0.5~7	19	70	CN11HS	SER11C	ER11
JT40	JT40-ER11-120	0.5~7	19	120			
JT40	JT40-ER16-070	0.5~10	28	70	CN16HS	SER16C	ER16
JT40	JT40-ER16-120	0.5~10	28	120			
JT40	JT40-ER20-080	1.0~13	34	80	CN20HS	SER20C	ER20
JT40	JT40-ER20-120	1.0~13	34	120			
JT40	JT40-ER25-080	1.0~16	42	80	CN25B	SER25C	ER25
JT40	JT40-ER25-120	1.0~16	42	120			
JT40	JT40-ER32-060	2.0~20	50	60	CN32B	SER32C	ER32
JT40	JT40-ER32-120	2.0~20	50	120			
JT40	JT40-ER40-080	3.0~26	63	80	CN40B	SER40C	ER40
JT50	JT50-ER16-060	0.5~10	28	60			
JT50	JT50-ER16-120	0.5~10	28	120	CN16HS	SER16C	ER16
JT50	JT50-ER20-070	1.0~13	34	70			
JT50	JT50-ER20-120	1.0~13	34	120	CN20HS	SER20C	ER20
JT50	JT50-ER25-070	1.0~16	42	70			
JT50	JT50-ER25-120	1.0~16	42	120	CN25B	SER25C	ER25
JT50	JT50-ER32-090	2.0~20	50	90			
JT50	JT50-ER32-120	2.0~20	50	120	CN32B	SER32C	ER32
JT50	JT50-ER40-100	3.0~26	63	100			

● 附件需单独订购 Accessories are sold separately

附件 A ssories	ER11	ER16	ER20	ER25	ER32	ER40
扳手 Wrench	W17D	W25D	W30D	YER25B	YER32B	YER40B

JT 无扁尾莫氏圆锥孔刀柄

JT Morse Taper Holders without Tang



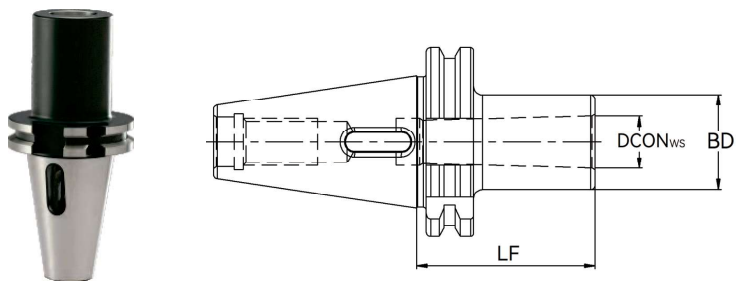
主轴型号 Spindle Model	刀柄型号 Model No	莫氏锥度 Morse taper	对应安装铣刀直径 (mm) Corresponding to installed milling cutter diameter	尺寸 Size (mm)			螺钉 Screw	型式 Type
	DIN69871-A			DCON _{ws}	BD	LF		
JT40	JT40-MW1-045	MT1	6-12	12.065	27	45	MS06025	I
JT40	JT40-MW2-050	MT2	14-20	17.780	32	50	MS10030-A	I
JT40	JT40-MW3-075	MT3	22-36	23.825	40	75	MS12035-A	II
JT40	JT40-MW4-095	MT4	32-56	31.267	50	95	MS16040-A	II
JT50	JT50-MW1-045	MT1	6-12	12.065	27	45	MS06025	I
JT50	JT50-MW2-060	MT2	14-20	17.780	32	60	MS10030	I
JT50	JT50-MW3-065	MT3	22-36	23.825	40	65	MS12035	I
JT50	JT50-MW4-075	MT4	32-56	31.267	50	75	MS16040-B	I
JT50	JT50-MW5-105	MT5	40-63	44.399	78	105	MS20048-A	II

● 附件需单独订购 Accessories are sold separately

附件 Accessories	MT1	MT2	MT3	MT4(I)	MT4(II)	MT5
扳手 Hex Wrench	S5	S8	S10	S14	S12	S17

JT有扁尾莫氏圆锥孔刀柄

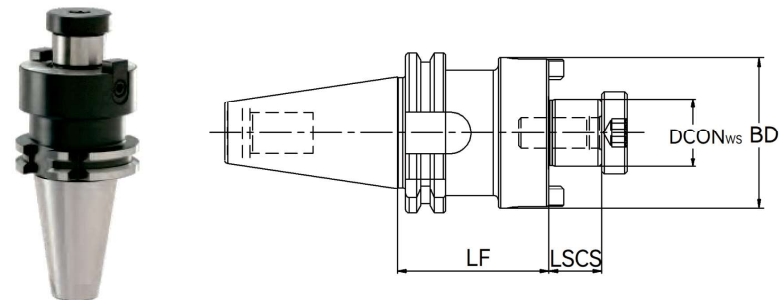
JT Morse Taper Holders with Tang



主轴型号	刀柄型号	莫氏锥度	对应安装铣刀直径(mm)	尺寸Size(mm)		
SpindleModel	ModelNo	Morsetaper	Correspondingtoinstalled millingcuttordiameter	DCON _{ws}	BD	LF
	DIN69871-A					
JT40	JT40-M1-045	MT1	3-14	12.065	25	45
JT40	JT40-M1-120	MT1	3-14	12.065	25	120
JT40	JT40-M2-060	MT2	14.25-23	17.780	32	60
JT40	JT40-M2-120	MT2	14.25-23	17.780	32	120
JT40	JT40-M3-075	MT3	23.25-31.75	23.825	40	75
JT40	JT40-M3-135	MT3	23.25-31.75	23.825	40	135
JT40	JT40-M4-095	MT4	32-50.5	31.267	48	95
JT40	JT40-M4-165	MT4	32-50.5	31.267	48	165
JT50	JT50-M1-045	MT1	3-14	12.065	25	45
JT50	JT50-M1-120	MT1	3-14	12.065	25	120
JT50	JT50-M1-180	MT1	3-14	12.065	25	180
JT50	JT50-M2-045	MT2	14.25-23	17.780	32	45
JT50	JT50-M2-135	MT2	14.25-23	17.780	32	135
JT50	JT50-M2-180	MT2	14.25-23	17.780	32	180
JT50	JT50-M3-075	MT3	23.25-31.75	23.825	40	75
JT50	JT50-M3-150	MT3	23.25-31.75	23.825	40	150
JT50	JT50-M3-180	MT3	23.25-31.75	23.825	40	180
JT50	JT50-M4-075	MT4	32-50.5	31.267	48	75
JT50	JT50-M4-180	MT4	32-50.5	31.267	48	180
JT50	JT50-M5-105	MT5	51-76	44.399	63	105

JT套式立铣刀刀柄

JT Shell Mill Holders



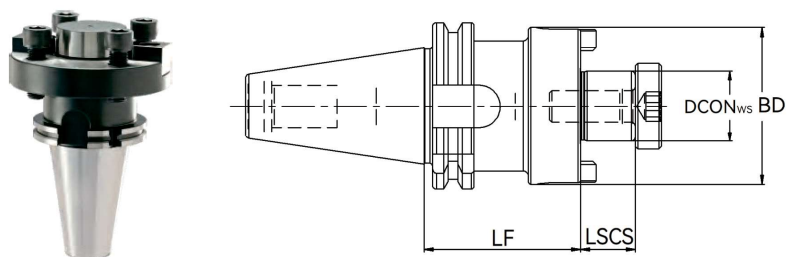
主轴型号	刀柄型号	尺寸Size(mm)				螺钉1	键	螺钉2
SpindleModel	ModelNo	DCON _{ws}	BD	LF	LSCS	Screw	Key	Screw
	DIN69871-A							
JT40	JT40-XMB16-060	16	34	60	17	MS08030	JC08017	MS03008
JT40	JT40-XMB16-120	16	34	120	17	MS08030	JC08017	MS03008
JT40	JT40-XMB22-060	22	42	60	19	MS10030	JC10021	MS04010
JT40	JT40-XMB22-120	22	42	120	19	MS10030	JC10021	MS04010
JT40	JT40-XMB27-060	27	60	60	21	SXM27	JC12023	MS05016
JT40	JT40-XMB27-120	27	60	120	21	SXM27	JC12023	MS05016
JT40	JT40-XMB32-060	32	78	60	24	SXM32	JC14020	MS06020
JT40	JT40-XMB40-060	40	89	60	27	SXM40	KXM40	MS08020
JT50	JT50-XMB16-060	16	34	60	17	MS08030	JC08017	MS03008
JT50	JT50-XMB16-120	16	34	120	17	MS08030	JC08017	MS03008
JT50	JT50-XMB22-060	22	42	60	19	MS10030	JC10021	MS04010
JT50	JT50-XMB22-120	22	42	120	19	MS10030	JC10021	MS04010
JT50	JT50-XMB27-060	27	60	60	21	SXM27	JC12023	MS05016
JT50	JT50-XMB27-090	27	60	90	21	SXM27	JC12023	MS05016
JT50	JT50-XMB27-120	27	60	120	21	SXM27	JC12023	MS05016
JT50	JT50-XMB32-075	32	78	75	24	SXM32	JC14020	MS06020
JT50	JT50-XMB40-075	40	89	75	27	SXM40	KXM40	MS08020

● 附件需单独订购 Accessories are sold separately

附件Accessories	DCON _{ws} =16	DCON _{ws} =22	DCON _{ws} =27	DCON _{ws} =32	DCON _{ws} =40
扳手HexWrench	S6	S8	S10	S14	S17

JT 面铣刀刀柄

JT Face Mill Holders



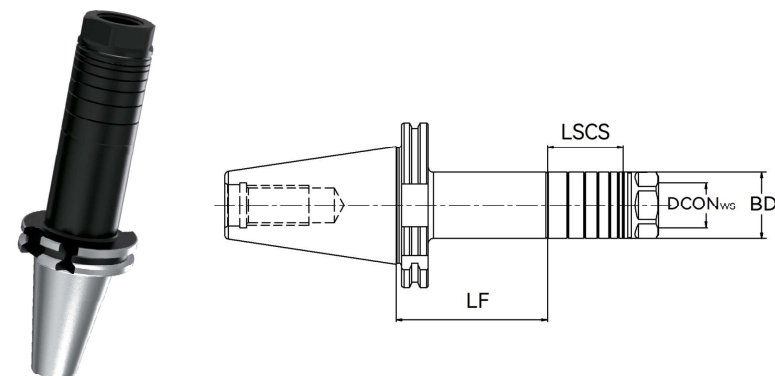
主轴型号 Spindle Model	刀柄型号 Model No DIN69871-A	尺寸 Size (mm)					螺钉1 Screw	键 Key	螺钉2 Screw
		DCON _{ws}	BD	DBC	LF	LSCS			
JT40	JT40-XMC40-060	40	89	66.7	60	27	MS12045(4)	KXM40	MS08020
JT50	JT50-XMC40-075	40	89	66.7	75	27	MS12045(4)	KXM40	MS08020
JT50	JT50-XMC60-075	60	129	101.6	75	38	MS16045(4)	KXMC60	MS10025

● 附件需单独订购 Accessories are sold separately

附件 Accessories	DCON _{ws} =40	DCON _{ws} =60
扳手 Hex Wrench	S10	S14

JT 三面刃铣刀刀柄

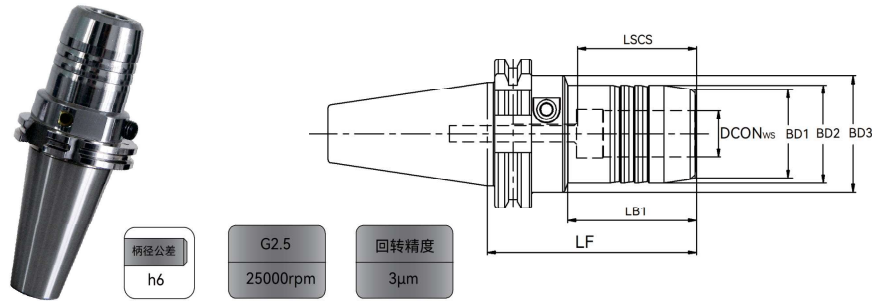
HSK-A Shrink Fit Toolholders



主轴型号 Spindle Model	刀柄型号 Model No DIN69871-A	尺寸 Size (mm)				螺母 nuts	垫圈 Washer	键 Key
		DCON _{ws}	BD	LF	LSCS			
JT40	JT40-XS22-075	22	34	75	30	MXS22	SD22	JA06020
JT40	JT40-XS22-120	22	34	120	30	MXS22	SD22	JA06020
JT40	JT40-XS27-075	27	40	75	30	MXS27	SD27	JA07022
JT40	JT40-XS27-120	27	40	120	30	MXS27	SD27	JA07022
JT40	JT40-XS32-090	32	46	90	30	MXS32	SD32	JA08022
JT50	JT50-XS22-090	22	34	90	30	MXS22	SD22	JA06020
JT50	JT50-XS27-090	27	40	90	30	MXS27	SD27	JA07022
JT50	JT50-XS27-135	27	40	135	30	MXS27	SD27	JA07022
JT50	JT50-XS32-090	32	46	90	30	MXS32	SD32	JA08022
JT50	JT50-XS32-135	32	46	135	30	MXS32	SD32	JA08022
JT50	JT50-XS40-090	40	55	90	30	MXS40	SD40	JA10025
JT50	JT50-XS40-135	40	55	135	30	MXS40	SD40	JA10025
JT50	JT50-XS50-090	50	69	90	30	MXS50	SD50	JA12025

JT 液压刀柄

JT Hydraulic Chucks

柄径公差
h6G2.5
25000rpm回转精度
3μm

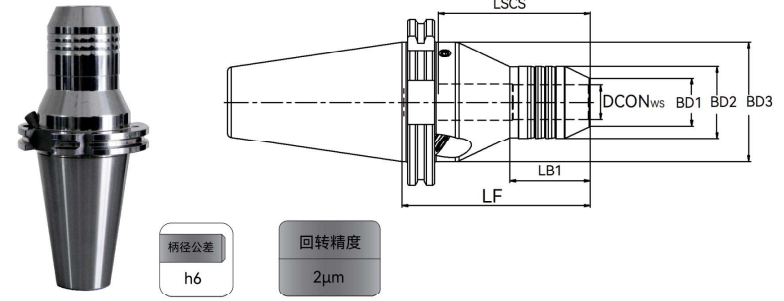
主轴型号 Spindle Model	刀柄型号 Model No DIN69871-AD	尺寸 Size (mm)							螺钉 Screw	卡簧 Collets
		DCON _{ws}	BD1	BD2	BD3	LF	LSCX	LB1		
JT40	JT40-HCM06-80.5	6	22	26	50	80.5	37	29.5	HCSO05014C	-
JT40	JT40-HCM08-80.5	8	24	28	50	80.5	37	30	HCSO06014C	-
JT40	JT40-HCM10-80.5	10	26	30	50	80.5	41	31	HCSO08014C	-
JT40	JT40-HCM12-80.5	12	28	32	50	80.5	46	31.5	HCSO08014C	HC12
JT40	JT40-HCM16-80.5	16	34	38	50	80.5	49	33	HCSO08014C	-
JT40	JT40-HCM20-80.5	20	38	42	50	80.5	51	34	HCSO08014C	HC20
JT40	JT40-HCM25-80.5	25	53	57	72	80.5	57	25.5	HCSO12014C	-
JT40	JT40-HCM32-80.5	32	60	63	80	80.5	61	25.5	HCSO12014C	HC32
JT50	JT50-HCM20-80.5	20	38	42	50	80.5	51	34	HCSO08014C	HC20

● 附件需单独订购 Accessories are sold separately

附件 Accessories	DCON _{ws} =6	DCON _{ws} =8	DCON _{ws} =10	DCON _{ws} =12	DCON _{ws} =16	DCON _{ws} =20	DCON _{ws} =32
扳手 Hex Wrench	TS5						TS6

JT 工具磨液压刀柄

JT Tool Grinding Hydraulic Chucks

柄径公差
h6回转精度
2μm

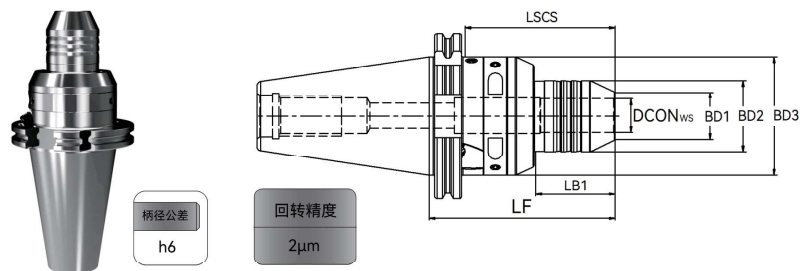
主轴型号 Spindle Model	刀柄型号 Model No DIN69871-AD	尺寸 Size (mm)							卡簧 Collets
		DCON _{ws}	BD1	BD2	BD3	LF	LSCX	LB1	
JT50	JT50-HCM12-110M	12	21.5	36.5	60	110	50	55	HC12
JT50	JT50-HCM20-110M	20	28	42	70	110	95	47	HC20
JT50	JT50-HCM32-110M	32	40	54	70	110	95	62.5	HC32

● 附件需单独订购 Accessories are sold separately

附件 Accessories	DCON _{ws} =12	DCON _{ws} =20	DCON _{ws} =32
扳手 Hex Wrench	TS5		

JT 工具磨可调液压刀柄

JT Tool Grinding Adjustable Hydraulic Chucks



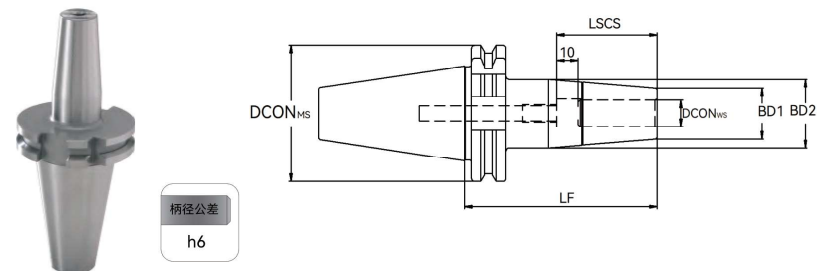
主轴型号 Spindle Model	刀柄型号 Model No DIN69893	尺寸 Size (mm)							卡簧 Collets
		DCON _{ws}	BD1	BD2	BD3	LF	LSCX	LB1	
JT50	JT50-HCA12-110M	12	21.5	36.5	65.5	110	50	49	HC12
JT50	JT50-HCA20-110M	20	28	42	70.5	110	95	48	HC20
JT50	JT50-HCA32-115M	32	40	53.5	80.5	115	95	48	HC32

● 附件需单独订购 Accessories are sold separately

附件 Accessories	DCON _{ws} =12	DCON _{ws} =20	DCON _{ws} =32
扳手 Hex Wrench	TS5		

JT 热装刀柄

JT Shrink Fit Toolholders



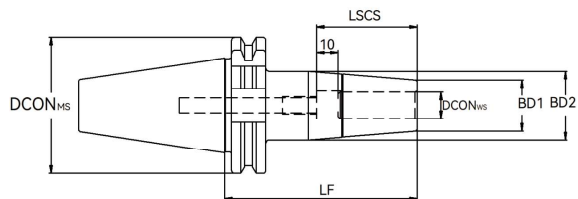
主轴型号 Spindle Model	刀柄型号 Model No DIN69871-AD	尺寸 Size (mm)					卡簧 Collets
		DCON _{ws}	BD1	BD2	LF	LSCX	
JT40	JT40-SFX03-080	3	10	-	80	-	-
JT40	JT40-SFX04-080	4	10	-	80	-	-
JT40	JT40-SFX05-080	5	10	-	80	-	-
JT40	JT40-SFX06-080	6	21	27	80	36	SO05014C
JT40	JT40-SFX06-120	6	21	27	120	36	SO05014C
JT40	JT40-SFX06-160	6	21	32	160	36	SO05014C
JT40	JT40-SF08-080	8	21	27	80	36	SO06014C
JT40	JT40-SF08-120	8	21	27	120	36	SO06014C
JT40	JT40-SF08-160	8	21	32	160	36	SO06014C
JT40	JT40-SF10-080	10	24	32	80	42	SO08014C
JT40	JT40-SF10-120	10	24	32	120	42	SO08014C
JT40	JT40-SF10-160	10	24	34	160	42	SO08014C
JT40	JT40-SF12-080	12	24	32	80	47	SO08014C
JT40	JT40-SF12-120	12	24	32	120	47	SO08014C
JT40	JT40-SF12-160	12	24	34	160	47	SO08014C
JT40	JT40-SF14-080	14	27	34	80	47	SO08014C
JT40	JT40-SF14-120	14	27	34	120	47	SO08014C
JT40	JT40-SF14-160	14	27	42	160	47	SO08014C
JT40	JT40-SF16-080	16	27	34	80	50	SO12014C
JT40	JT40-SF16-120	16	27	34	120	50	SO12014C
JT40	JT40-SF16-160	16	27	42	160	50	SO12014C
JT40	JT40-SF18-080	18	33	42	80	50	SO12014C

JT 热装刀柄

JT Shrink Fit Toolholders



柄径公差
h6



主轴型号 Spindle Model	刀柄型号 Model No DIN69871-AD	尺寸 Size (mm)					卡簧 Collets
		DCON _{ws}	BD1	BD2	LF	LSCX	
JT40	JT40-SF18-120	18	33	42	120	50	SO12014C
JT40	JT40-SF18-160	18	33	50	160	50	SO12014C
JT40	JT40-SF20-080	20	33	42	80	52	SO16016C
JT40	JT40-SF20-120	20	33	42	120	52	SO16016C
JT40	JT40-SF20-160	20	33	50	160	52	SO16016C
JT40	JT40-SF25-100	25	44	50	100	58	SO16016C
JT40	JT40-SF25-120	25	44	50	120	58	SO16016C
JT40	JT40-SF25-160	25	44	50	160	58	SO16016C

● 附件需单独订购 Accessories are sold separately

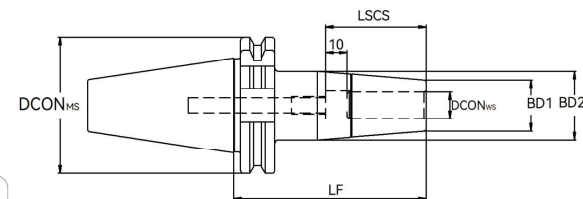
附件 Accessories	DCON _{ws} =3	DCON _{ws} =4	DCON _{ws} =5	DCON _{ws} =6	DCON _{ws} =8	DCON _{ws} =10	DCON _{ws} =12
扳手 Hex Wrench	-	-	-	S2.5	S3	S4	S4
附件 Accessories	DCON _{ws} =14	DCON _{ws} =16	DCON _{ws} =18	DCON _{ws} =20		DCON _{ws} =25	
扳手 Hex Wrench	S4	S6	S6	S8		S8	

JT 热装刀柄

JT Shrink Fit Toolholders



柄径公差
h6



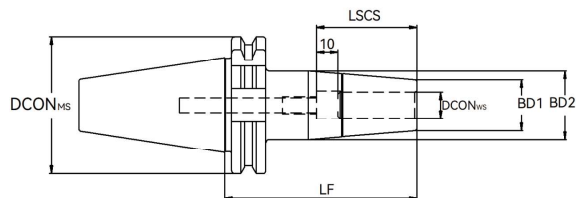
主轴型号 Spindle Model	刀柄型号 Model No DIN69871-AD	尺寸 Size (mm)					螺钉 Screw
		DCON _{ws}	BD1	BD2	LF	LSCX	
Jt50	JT50-SFX06-080	6	21	27	80	36	SO05014C
JT50	JT50-SFX06-120	6	21	27	120	36	SO05014C
JT50	JT50-SFX06-160	6	21	32	160	36	SO05014C
JT50	JT50-SF08-080	8	21	27	80	36	SO06014C
JT50	JT50-SF08-120	8	21	27	120	36	SO06014C
JT50	JT50-SF08-160	8	21	32	160	36	SO06014C
JT50	JT50-SF10-080	10	24	32	80	42	SO08014C
JT50	JT50-SF10-120	10	24	32	120	42	SO08014C
JT50	JT50-SF10-160	10	24	34	160	42	SO08014C
JT50	JT50-SF12-080	12	24	32	80	47	SO08014C
JT50	JT50-SF12-120	12	24	32	120	47	SO08014C
JT50	JT50-SF12-160	12	24	34	160	47	SO08014C
JT50	JT50-SF14-080	14	27	34	80	47	SO08014C
JT50	JT50-SF14-120	14	27	34	120	47	SO08014C
JT50	JT50-SF14-160	14	27	42	160	47	SO08014C
JT50	JT50-SF16-080	16	27	34	80	50	SO12014C
JT50	JT50-SF16-120	16	27	34	120	50	SO12014C
JT50	JT50-SF16-160	16	27	42	160	50	SO12014C
JT50	JT50-SF18-080	18	33	42	80	50	SO12014C

JT 热装刀柄

JT Shrink Fit Toolholders



柄径公差
h6



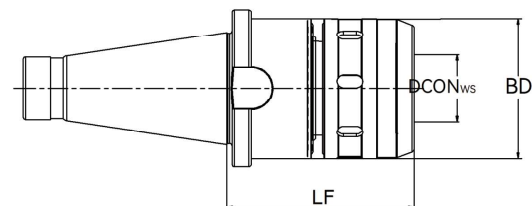
主轴型号 Spindle Model	刀柄型号 Model No DIN69871-AD	尺寸 Size (mm)					螺钉 Screw
		DCON _{ws}	BD1	BD2	LF	LSCX	
JT50	JT50-SF18-120	18	33	42	120	50	SO12014C
JT50	JT50-SF18-160	18	33	51	160	50	SO12014C
JT50	JT50-SF20-080	20	33	42	80	52	SO16016C
JT50	JT50-SF20-120	20	33	42	120	52	SO16016C
JT50	JT50-SF20-160	20	33	51	160	52	SO16016C
JT50	JT50-SF25-100	25	44	53	100	58	SO16016C
JT50	JT50-SF25-120	25	44	53	120	58	SO16016C
JT50	JT50-SF25-160	25	44	60	160	58	SO16016C
JT50	JT50-SF32-100	32	44	53	100	58	SO16016C
JT50	JT50-SF32-120	32	44	53	120	58	SO16016C
JT50	JT50-SF32-160	32	44	60	160	58	SO16016C

● 附件需单独订购 Accessories are sold separately

附件 Accessories	DCON _{ws} =3	DCON _{ws} =4	DCON _{ws} =5	DCON _{ws} =6	DCON _{ws} =8	DCON _{ws} =10	DCON _{ws} =12
扳手 Hex Wrench	-	-	-	S2.5	S3	S4	S4

ST 强力夹头刀柄

ST Milling Chucks



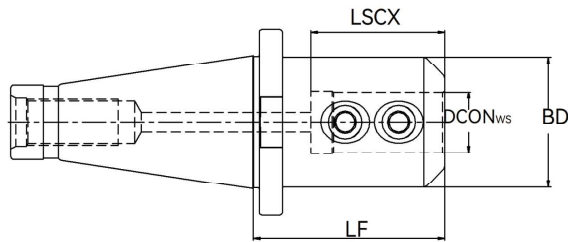
主轴型号 Spindle Model	刀柄型号 Model No DIN2080	尺寸 Size (mm)			卡簧 Collets
		DCON _{ws}	BD	LF	
ST50	ST50-C32-110	32	72	110	C32
ST50	ST50-C42-110	42	87	110	C42

● 附件需单独订购 Accessories are sold separately

附件 Accessories	C32	C42
扳手 Wrench	WCN40	BS130UNT

ST 侧固式刀柄

ST Side Lock Holders



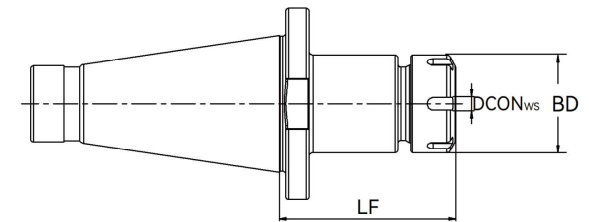
主轴型号 Spindle Model	刀柄型号 Model No	尺寸 Size (mm)				螺钉 Screw
	DIN2080	DCON _{ws}	BD	LF	LSCX	
JT40	ST50-XP25-080	25	60	80	66	SXP25
JT40	ST50-XP32-100	32	68	100	70	SXP32
JT40	ST50-XP40-110	40	84	110	80	SXP32

● 附件需单独订购 Accessories are sold separately

附件 Accessories	DCON _{ws} =25	DCON _{ws} =32	DCON _{ws} =40
扳手 Hex Wrench	S8	S10	S10

ST ER 弹簧夹头刀柄

ST ER Collet Chucks



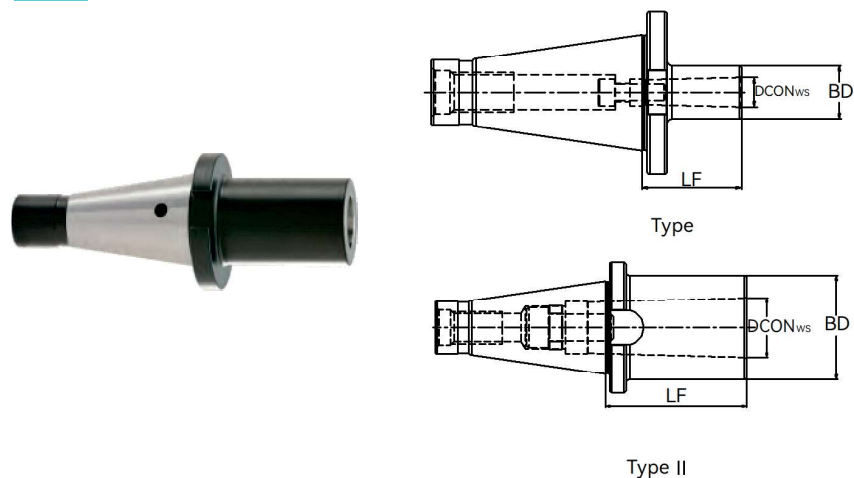
主轴型号 Spindle Model	刀柄型号 Model No	尺寸 Size (mm)			螺母	螺钉	卡簧
	DIN2080	DCON _{ws}	BD	LF	Nuts	Screw	Collets
ST40	ST40-ER32-060	2.0~20	50	60	CN32B	SER32C	ER32
ST40	ST40-ER40-080	3.0~26	63	80	CN40B	SER40C	ER40
ST50	ST50-ER32-090	2.0~20	50	90	CN32B	SER32C	ER32
ST50	ST50-ER40-100	3.0~26	63	100	CN40B	SER40C	ER40

● 附件需单独订购 Accessories are sold separately

附件 Accessories	ER32	ER40
扳手 Wrench	YER32B	YER40B

ST 无扁尾莫氏圆锥孔刀柄

ST Morse Taper Holders without Tang



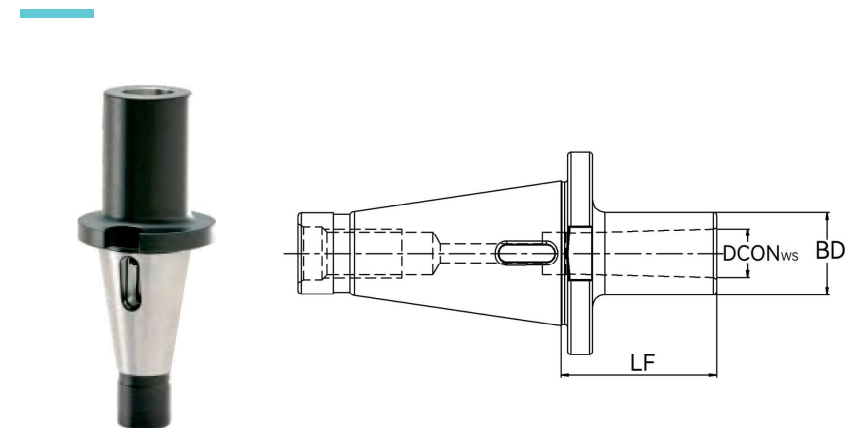
主轴型号	刀柄型号	莫氏锥度	对应安装铣刀直径 (mm)	尺寸 Size (mm)			螺钉	型式
Spindle Model	Model No	Morse taper	Corresponding to installed milling cutter diameter	DCON _{ws}	BD	LF	Screw	Type
	DIN2080							
ST50	ST50-MW2-060	MT2	14-20	17.780	32	60	MS10030	I
ST50	ST50-MW3-065	MT3	22-36	23.825	40	65	MS12035	I
ST50	ST50-MW4-075	MT4	32-56	31.267	50	75	MS16040-B	I
ST50	ST50-MW5-105	MT5	42-63	44.399	78	105	MS20048-A	II

● 附件需单独订购 Accessories are sold separately

附件 Accessories	MT2	MT3	MT4	MT5
扳手 Hex Wrench	S8	S10	S14	S17

ST 有扁尾莫氏圆锥孔刀柄

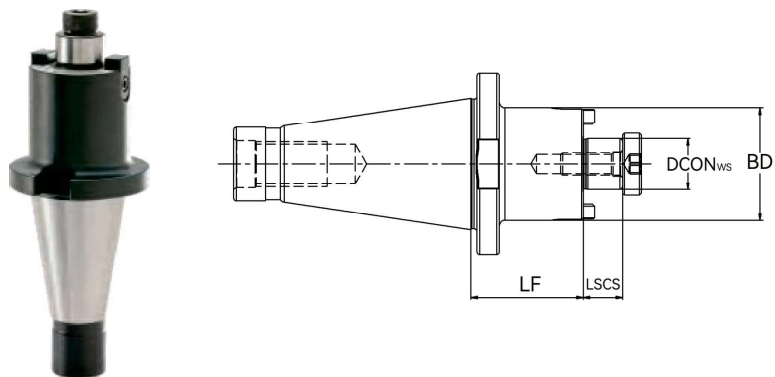
ST Morse Taper Holders with Tang



主轴型号	刀柄型号	莫氏锥度	对应安装铣刀直径 (mm)	尺寸 Size (mm)		
Spindle Model	Model No	Morse taper	Corresponding to installed milling cutter diameter	DCON _{ws}	BD	LF
	DIN2080					
ST50	ST50-M3-075	MT3	23.25-31.75	23.825	40	75
ST50	ST50-M4-075	MT4	32-50.5	31.267	48	75
ST50	ST50-M5-105	MT5	51-76	44.399	63	105

ST 套式立铣刀刀柄

ST Shell Mill Holders



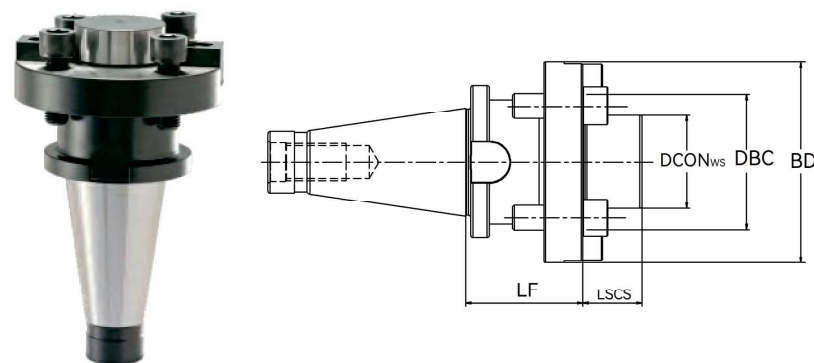
主轴型号	刀柄型号	尺寸 Size (mm)				螺钉1	键	螺钉2
		DCON _{ws}	BD	LF	LSCS			
ST50	ST50-XMB27-60	27	60	60	21	SXM27	JC12023	MS05016
ST50	ST50-XMB32-45	32	78	45	24	SXM32	JC14020	MS06020
ST50	ST50-XMB40-45	40	89	45	27	SXM40	KXM40	MS08020

● 附件需单独订购 Accessories are sold separately

附件 Accessories	DCON _{ws} =27	DCON _{ws} =32	DCON _{ws} =40
扳手 Hex Wrench	S10	S14	S17

ST 套式面铣刀刀柄

ST Face Mill Holders



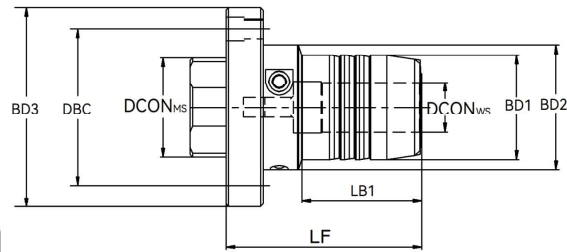
主轴型号	刀柄型号	尺寸 Size (mm)					螺钉1	键	螺钉2
		DCON _{ws}	BD	DBC	LF	LSCS			
ST50	ST50-XMC40-075	40	89	66.7	75	27	MS12045(4)	KXM40	MS08020
ST50	ST50-XMC60-075	60	129	101.6	75	38	MS16045(4)	KXMC60	MS10025

● 附件需单独订购 Accessories are sold separately

附件 Accessories	DCON _{ws} =40	DCON _{ws} =60
扳手 Hex Wrench	S10	S14

HSK 可调液压刀柄

HSK Adjustable Hydraulic Chucks

柄径公差
h6

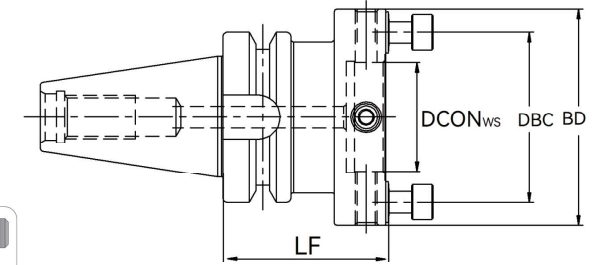
主轴型号 Spindle Model	刀柄型号 Model No JIS B6339-AD	尺寸 Size (mm)								螺钉 Screw	扳手 Wrench
		DCON _{ws}	DCON _{ms}	BD1	BD2	BD3	LF	LSCX	LB1		
HSK-A63	HSK63A-HCZ12-085	12	63	28	32	50	85	47.5	40	HCSO08014C	TS5/S3
HSK-A63	HSK63A-HCZ16-095	16	63	34	38	50	95	55.5	46	HCSO08014C	TS5/S3
HSK-A63	HSK63A-HCZ20-090	20	63	38	42	50	90	51.5	48	HCSO08014C	TS5/S3
HSK-A100	HSK100A-HCZ12-095	12	100	28	32	50	95	47.5	47	HCSO08014C	TS5/S3
HSK-A100	HSK100A-HCZ16-100	16	100	34	38	50	100	55.5	53	HCSO08014C	TS5/S3
HSK-A100	HSK100A-HCZ20-105	20	100	38	42	50	105	51.5	59	HCSO08014C	TS5/S3
HSK-A100	HSK100A-HCZ25-110	25	100	53	57	63	110	59.5	62	HCSO12014C	TS6/S3

● 附件需单独订购 Accessories are sold separately

附件 Accessories	DCON _{ms} =63	DCON _{ms} =100
冷却液套管 Coolant tubes	TU-HSK63	TU-HSK100
扳手 Coolant tube Wrench	W-HSK63	W-HSK100

BT 可调液压刀柄

BT Adjustable Hydraulic Chucks

柄径公差
h6

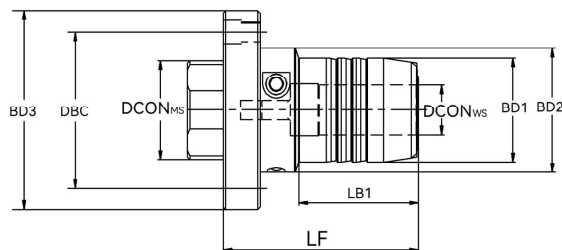
主轴型号 Spindle Model	刀柄型号 Model No JIS B6339-AD	尺寸 Size (mm)								螺钉 Screw	扳手 Wrench
		DCON _{ws}	BD1	BD2	BD3	LF	LSCX	LB1			
BT40	BT40-HCZ12-090	12	28	32	50	90	47.5	44.5	HCSO08014C	TS5/S3	
BT40	BT40-HCZ16-095	16	34	38	50	95	55.5	47.5	HCSO08014C	TS5/S3	
BT40	BT40-HCZ20-090	20	38	42	50	90	51.0	47.5	HCSO08014C	TS5/S3	
BT50	BT50-HCZ12-100	12	28	32	50	100	47.5	44.5	HCSO08014C	TS5/S3	
BT50	BT50-HCZ16-105	16	34	38	50	105	55.5	47.5	HCSO08014C	TS5/S3	
BT50	BT50-HCZ20-105	20	38	42	50	105	51.5	50	HCSO08014C	TS5/S3	
BT50	BT50-HCZ25-120	25	53	57	63	120	59.5	62	HCSO12014C	TS6/S3	

可调液压刀柄模块

Adjustable Hydraulic Chuck Module



柄径公差
h6



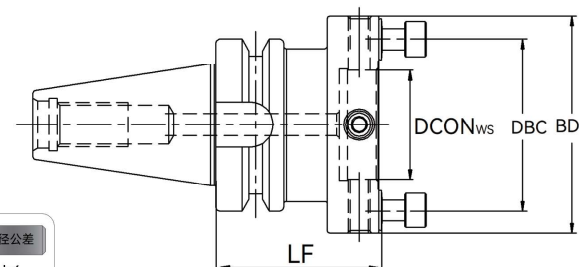
型号 Model	尺寸 Size (mm)								螺钉 Screw	卡簧 Collets	扳手 Hex Wrench
	DCON _{ws}	DCON _{rs}	BD1	BD2	LB1	LF	BD3	DBC			
DC70-HCM06-080	6	36	26	50	30	80	70	53	HCSO05014C	-	TS5/S4
DC70-HCM08-080	8	36	28	50	30	80	70	53	HCSO06014C	-	TS5/S4
DC70-HCM10-080	10	36	30	50	35	80	70	53	HCSO08014C	-	TS5/S4
DC70-HCM12-085	12	36	32	50	40	85	70	53	HCSO08014C	HC12	TS5/S4
DC80-HCM06-060	6	40	26	50	24	60	80	63	HCSO05014C	-	TS5/S4
DC80-HCM08-060	8	40	28	50	25	60	80	63	HCSO06014C	-	TS5/S4
DC80-HCM10-070	10	40	30	50	35	70	80	63	HCSO08014C	-	TS5/S4
DC80-HCM12-080	12	40	32	50	44.5	70	80	63	HCSO08014C	HC12	TS5/S4
DC80-HCM16-080	16	40	38	50	46	80	80	63	HCSO08014C	-	TS5/S4
DC80-HCM20-080	20	40	42	50	47.5	80	80	63	HCSO08014C	HC20	TS5/S4
DC100-HCM12-080	12	56	35	50	46	80	100	82	HCSO08014C	HC12	TS5/S4
DC100-HCM16-080	16	56	38	50	47.5	80	100	82	HCSO08014C	-	TS5/S4
DC100-HCM20-080	20	56	42	50	47.5	80	100	82	HCSO08014C	HC20	TS5/S4
DC100-HCM25-090	25	56	57	63	59	90	100	82	HCSO12014C	-	TS6/S4

BT 可调刀柄手柄

BT Adjustable Hydraulic Chuck Master Module



柄径公差
h6



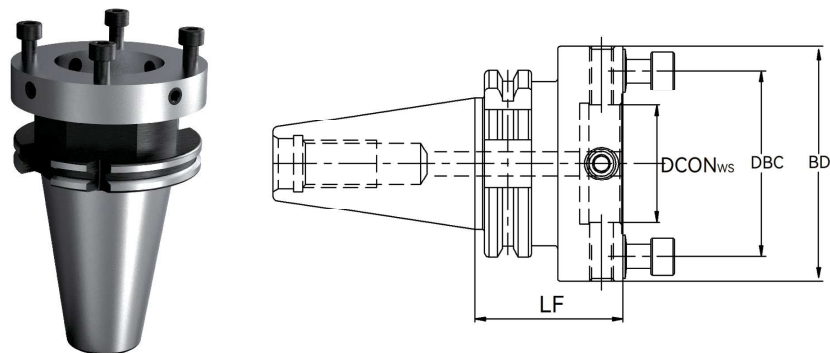
主轴型号 Spindle Model	刀柄型号 Model No	尺寸 Size (mm)				扳手 Wrench
		DCON _{ws}	DBC	BD	LF	
BT30	BT30-DC70-050	36	53	70	50	S4/S5
BT30	BT30-DC80-050	40	63	80	50	S4/S5
BT40	BT40-DC70-055	36	53	70	55	S4/S5
BT40	BT40-DC80-055	40	63	80	55	S4/S5
BT40	BT40-DC100-060	56	82	100	60	S5/S6
BT50	BT50-DC70-070	36	53	70	70	S4/S5
BT50	BT50-DC80-070	40	63	80	70	S4/S5
BT50	BT50-DC100-070	56	82	100	70	S5/S6

● 附件需单独订购 Accessories are sold separately

备件 SpareParts	DCON _{ws} =36	DCON _{rs} =40	DCON _{rs} =56
压紧螺钉 Screw	MS06020	MS06020	MS08025
调节螺钉 Screw	RS08016-B	RS08016-B	RS10020-B

JT 可调刀柄主柄

JT Adjustable Hydraulic Chuck Master Module



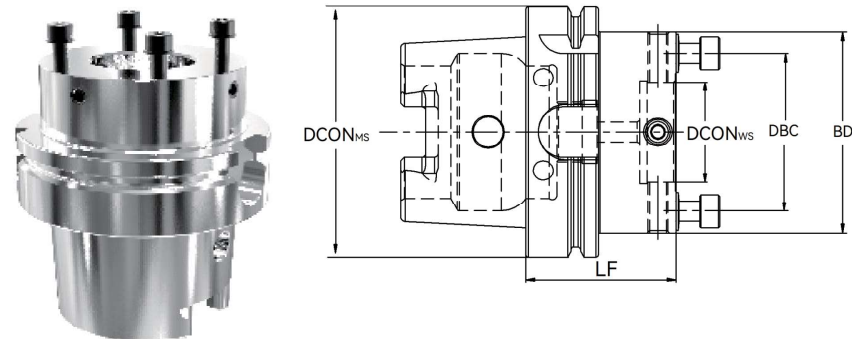
主轴型号 Spindle Model	刀柄型号 Model No DIN69871	尺寸 Size (mm)					扳手 Wrench
		DCON _{ws}	DCON _{ns}	BD	DBC	LF	
JT40	JT40-DC70-055	36	40	70	53	55	S5/S4
JT40	JT40-DC80-055	40	40	80	63	55	S5/S4
JT40	JT40-DC100-060	56	40	100	82	60	S6/S5
JT50	JT50-DC70-050	36	50	70	53	50	S5/S4
JT50	JT50-DC80-050	40	50	80	63	50	S5/S4
JT50	JT50-DC100-060	56	50	100	82	60	S6/S5

● 附件需单独订购 Accessories are sold separately

备件 SpareParts	DCON _{ws} =36	DCON _{ws} =40	DCON _{ws} =56
压紧螺钉 Screw	MS06020	MS06020	MS08025
调节螺钉 Screw	RS08016-B	RS08016-B	RS10020-B

HSK 可调刀柄主柄

HSK Adjustable Hydraulic Chuck Master Module



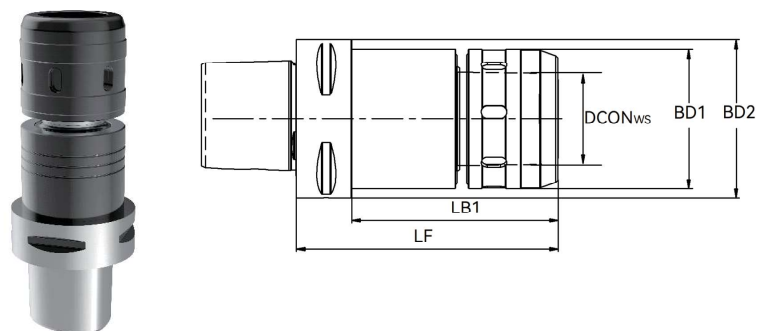
主轴型号 Spindle Model	刀柄型号 Model No DIN69893	尺寸 Size (mm)					扳手 Wrench
		DCON _{ws}	DCON _{ns}	BD	DBC	LF	
HSK-50A	HSK50A-DC70-065	36	50	70	53	65	S5/S4
HSK-50A	HSK50A-DC80-065	40	50	80	63	65	S5/S4
HSK-63A	HSK63A-DC70-065	36	63	70	53	65	S5/S4
HSK-63A	HSK63A-DC80-065	40	63	80	63	65	S5/S4
HSK-63A	HSK63A-DC100-070	56	63	100	82	70	S6/S5
HSK-100A	HSK100A-DC70-050	36	100	70	53	50	S5/S4
HSK-100A	HSK100A-DC80-050	40	100	80	63	50	S5/S4
HSK-100A	HSK100A-DC100-070	56	100	100	82	70	S6/S5

● 附件需单独订购 Accessories are sold separately

附件 Accessories	DCON _{ws} =63	DCON _{ws} =100
冷却液套管 Coolant tubes	TU-HSK63	TU-HSK100
扳手 Coolant tube Wrench	W-HSK63	W-HSK100

PSC 强力夹头刀柄

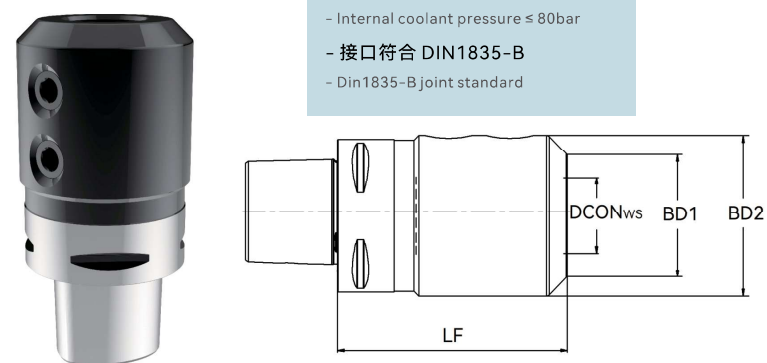
PSC Milling Chucks



主轴型号	刀柄型号	尺寸 Size (mm)					卡簧
Spindle Model	Model No	DCON _{ws}	BD1	BD2	LF	LB1	Collets
PSC4	PSC4-PC20-085	20	52	40	85	65	C20
PSC5	PSC5-PC20-090	20	52	50	90	70	C20
PSC5	PSC5-PC25-095	25	60	50	95	75	C25
PSC6	PSC6-PC20-090	20	52	63	90	68	C20
PSC6	PSC6-PC25-095	25	60	63	95	73	C25
PSC6	PSC6-PC32-110	32	69	63	110	88	C32
PSC8	PSC8-PC25-095	25	60	80	95	65	C25
PSC8	PSC8-PC32-110	32	69	80	110	80	C32
PSC8	PSC8-PC42-110	42	86	80	110	80	C42
PSC10	PSC10-PC32-120	32	69	100	120	84	C32
PSC10	PSC10-PC42-120	42	86	100	120	84	C42

PSC 侧固式刀柄

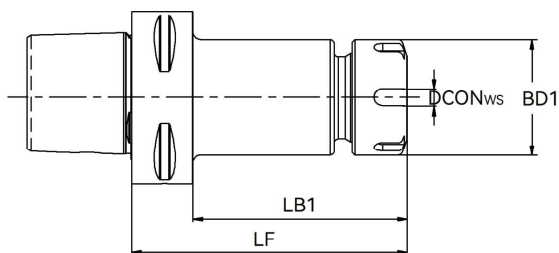
PSC Side Lock Holders



主轴型号	刀柄型号	尺寸 Size (mm)				螺钉
Spindle Model	Model No	DCON _{ws}	BD1	BD2	LF	Screw
PSC4	PSC4-XP16-055	16	38	48	55	SXP16
PSC5	PSC5-XP16-060	16	38	48	60	SXP16
PSC5	PSC5-XP20-060	20	42	50	60	SXP20
PSC5	PSC5-XP25-080	25	49	60	80	SXP25
PSC6	PSC6-XP16-065	16	38	48	65	SXP16
PSC6	PSC6-XP20-065	20	42	50	65	SXP20
PSC6	PSC6-XP25-080	25	49	60	80	SXP25
PSC6	PSC6-XP32-090	32	56	68	90	SXP32
PSC6	PSC6-XP40-100	40	74	84	100	SXP32
PSC8	PSC8-XP16-070	16	38	48	70	SXP16
PSC8	PSC8-XP20-070	20	42	50	70	SXP20
PSC8	PSC8-XP25-080	25	49	60	80	SXP25
PSC8	PSC8-XP32-080	32	56	68	80	SXP32
PSC8	PSC8-XP40-110	40	74	84	110	SXP32
PSC8	PSC8-XP50-120	50	84	90	120	SXP50

PSC ER 弹簧夹头刀柄

PSC ER Collet Chucks



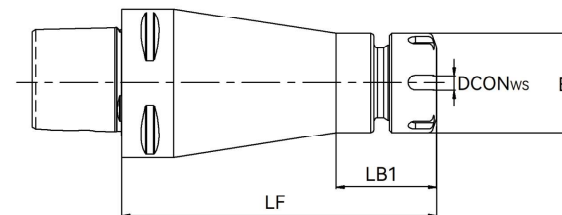
- 中心通水, 冷却液压力 ≤ 80bar

Internal coolant pressure ≤ 80bar

主轴型号	刀柄型号	尺寸 Size (mm)				螺母	螺钉	卡簧
Spindle Model	Model No	DCON _{ws}	LF	LB1	BD1	Nuts	Screw	Collets
PSC32	PSC3-ER16-045	17	45	29	28	CN16HS	-	ER16
PSC32	PSC3-ER20-045	21	45	-	34	CN20HS	-	ER20
PSC40	PSC4-ER20-052	21	52	-	34	CN20HS	-	ER20
PSC40	PSC4-ER25-052	26	52	-	42	CN25B	-	ER25
PSC40	PSC4-ER32-054	33	54	-	50	CN32B	-	ER32
PSC50	PSC5-ER20-055	21	55	35	34	CN20HS	-	ER20
PSC50	PSC5-ER25-055	26	55	35	42	CN25B	-	ER25
PSC50	PSC5-ER32-057	33	57	-	50	CN32B	-	ER32
PSC50	PSC5-ER32-100	33	100	-	50	CN32B	SER32C	ER32
PSC63	PSC6-ER25-060	26	60	38	42	CN25B	-	ER25
PSC63	PSC6-ER25-100	26	100	78	42	CN25B	SER25C	ER25
PSC63	PSC6-ER32-060	33	60	38	50	CN32B	-	ER32
PSC63	PSC6-ER32-100	33	100	78	50	CN32B	SER32C	ER32
PSC63	PSC6-ER40-065	41	65	-	63	CN40B	-	ER40
PSC63	PSC6-ER40-130	41	130	-	63	CN40B	SER40C	ER40
PSC80	PSC8-ER20-065	21	65	35	34	CN20HS	SER20C	ER20
PSC80	PSC8-ER25-070	26	70	40	42	CN25B	SER25C	ER25
PSC80	PSC8-ER32-070	33	70	40	50	CN32B	SER32C	ER32
PSC80	PSC8-ER40-070	41	70	40	63	CN40B	-	ER40

PSC ER 弹簧夹头刀柄

PSC ER Collet Chucks



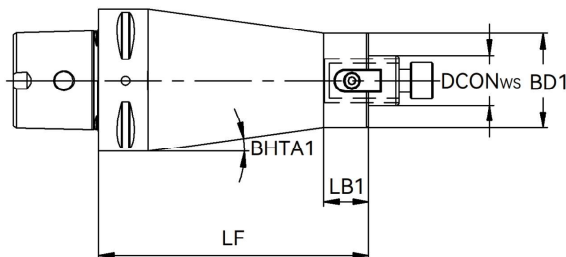
- 中心通水, 冷却液压力 ≤ 80bar

Internal coolant pressure ≤ 80bar

主轴型号	刀柄型号	尺寸 Size (mm)				螺母	螺钉	卡簧
Spindle Model	Model No	DCON _{ws}	LF	LB1	BD1	Nuts	Screw	Collets
PSC4	PSC4-ER16-070	17	70	44	28	CN16HS	SER16C	ER16
PSC5	PSC5-ER16-100	17	100	60	28	CN16HS	SER16C	ER16
PSC5	PSC5-ER20-100	21	100	55	34	CN20HS	SER20C	ER20
PSC5	PSC5-ER20-130	21	130	55	34	CN20HS	SER20C	ER20
PSC5	PSC5-ER25-100	26	100	65	42	CN25B	SER25C	ER25
PSC6	PSC6-ER16-100	17	100	60	28	CN16HS	SER16C	ER16
PSC6	PSC6-ER20-60	21	60	31	34	CN20HS	SER20C	ER20
PSC6	PSC6-ER25-130	26	130	65	42	CN25B	SER25C	ER25
PSC6	PSC6-ER25-160	26	160	65	42	CN25B	SER25C	ER25
PSC6	PSC6-ER32-130	33	130	75	50	CN32B	SER32C	ER32
PSC8	PSC8-ER32-160	33	160	75	50	CN32B	SER32C	ER32
PSC8	PSC8-ER40-160	41	160	95	63	CN40B	SER40C	ER40
PSC10	PSC10-ER32-160	33	160	75	50	CN32B	SER32C	ER32
PSC10	PSC10-ER40-160	41	160	95	63	CN40B	SER40C	ER40

PSC 套式立铣刀刀柄

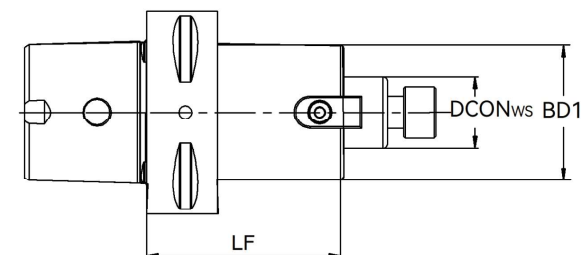
PSC Shell Mill Holders



主轴型号 Spindle Model	刀柄型号 Model No	尺寸 Size (mm)					螺钉1 Screw	键 Key	螺钉2 Screw
		DCON _{ws}	LF	LB1	BD1	BHTA1			
PSC4	PSC4-XMB16-120C	16	120	22	34	2.2°	MS08030	JC08017	MS03008
PSC5	PSC5-XMB22-150C	22	150	12	42	1.9°	MS10030	JC10021	MS04010
PSC6	PSC6-XMB22-120C	22	120	98	55	90°	MS10030	JC10021	MS04010
PSC6	PSC6-XMB22-190C	22	190	168	55	90°	MS10030	JC10021	MS04010
PSC8	PSC8-XMB27-150C	27	150	120	65	90°	SXM27	JC12023	MS05016
PSC8	PSC8-XMB27-240C	27	240	210	65	90°	SXM27	JC12023	MS05016

PSC 套式立铣刀刀柄

PSC Shell Mill Holders



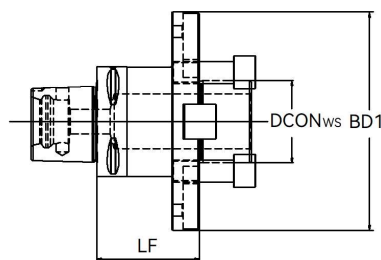
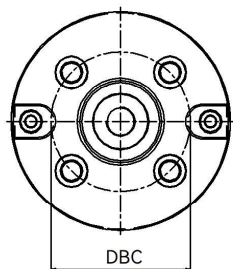
主轴型号 Spindle Model	刀柄型号 Model No	尺寸 Size (mm)			螺钉1 Screw	键 Key	螺钉2 Screw
		DCON _{ws}	LF	BD1			
PSC3	PSC3-XMB16-030	16	30	32	MS08030	JC08017	MS03007
PSC4	PSC4-XMB16-032	16	32	40	MS08030	JC08017	MS03008
PSC4	PSC4-XMB16-055	16	55	34	MS08030	JC08017	MS03008
PSC4	PSC4-XMB22-025	22	25	40	MS10030	JC10021	MS04010
PSC4	PSC4-XMB22-055	22	55	42	MS10030	JC10021	MS04010
PSC5	PSC5-XMB16-035	16	35	34	MS08030	JC08017	MS03008
PSC5	PSC5-XMB16-070	16	70	34	MS08030	JC08017	MS03008
PSC5	PSC5-XMB22-025	22	25	50	MS10030	JC10021	MS04010
PSC5	PSC5-XMB22-070	22	70	42	MS10030	JC10021	MS04010
PSC5	PSC5-XMB27-025	27	25	50	SXM27	JC12023	MS05012
PSC5	PSC5-XMB32-040	32	40	78	SXM32	JC14020	MS06016
PSC6	PSC6-XMB16-040	16	40	34	MS08030	JC08017	MS03008
PSC6	PSC6-XMB22-025	22	25	63	MS10030	JC10021	MS04010
PSC6	PSC6-XMB22-080	22	80	42	MS10030	JC10021	MS04010
PSC6	PSC6-XMB27-025	27	25	63	SXM27	JC12023	MS05016
PSC6	PSC6-XMB27-080	27	80	60	SXM27	JC12023	MS05016
PSC6	PSC6-XMB32-025	32	25	63	SXM32	JC14023	MS06014
PSC6	PSC6-XMB40-050	40	50	89	SXM40	KXM40	MS08016
PSC8	PSC8-XMB16-050	16	50	34	MS08030	JC08017	MS03008
PSC8	PSC8-XMB22-030	22	30	80	MS10030	JC10021	MS04010
PSC8	PSC8-XMB22-090	22	90	42	MS10030	JC10021	MS04010
PSC8	PSC8-XMB27-030	27	30	80	SXM27	JC12023	MS05016
PSC8	PSC8-XMB27-090	27	90	60	SXM27	JC12023	MS05016
PSC8	PSC8-XMB32-030	32	30	80	SXM32	JC14020	MS06020
PSC8	PSC8-XMB40-060	40	60	89	SXM40	KXM40	MS08020
PSC10	PSC10-XMB27-075	27	75	60	SXM27	JC12023	MS05016
PSC10	PSC10-XMB32-075	32	75	78	SXM32	JC14020	MS06020

PSC 面铣刀刀柄

PSC Face Mill Holders



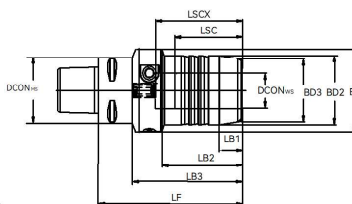
- 中心拉钉锁紧
Locking with center pull pin
- 三棱锥前后同向
Pyramid in the same direction before and after
- 中心通水, 冷却液压力 ≤ 80bar
Internal coolant pressure ≤ 80bar



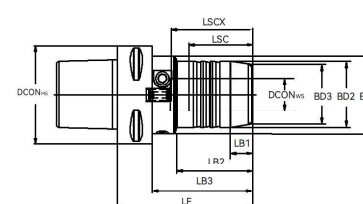
主轴型号	刀柄型号	尺寸 Size (mm)				螺钉1	键	螺钉2
Spindle Model	Model No	DCON _{ws}	DBC	LF	BD1	Screw	Key	Screw
PSC63	PSC6-XMC40-050C	40	66.7	50	89	MS12045	KXM40	MS08020
PSC80	PSC8-XMC40-060C	40	66.7	60	89	MS12045	KXM40	MS08020
PSC100	PSC10-XMC40-040C	40	66.7	40	100	MS12045	KXM40	MS08020
PSC80	PSC8-XMC60-060	60	101.6	60	129	MS16045	KXMC60	MS10025
PSC100	PSC10-XMC60-075	60	101.6	75	129	MS16045	KXMC60	MS10025

PSC 液压刀柄

PSC Hydraulic Chucks



Type I



Type II

柄径公差 h6	G2.5 25000rpm	回转精度 3μm
------------	------------------	-------------

- 中心通水, 冷却液压力 ≤ 80bar
Internal coolant pressure ≤ 80bar

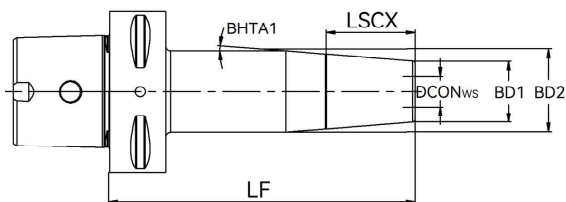
主轴型号	刀柄型号	尺寸 Size (mm)									螺钉	扳手	型式
Spindle Model	Model No	DCON _{ws}	DCON _{ns}	BD1	BD2	BD3	LF	LSCX	LB1	LB2	Screw	Torx wrench	Type
PSC4	PSC4-HCM06-065	6	40	22	26	50	65	37	24	45	HCSO05014C	TS5	I
PSC4	PSC4-HCM08-065	8	40	24	28	50	65	37	25	45	HCSO06014C	TS5	I
PSC4	PSC4-HCM10-075	10	40	26	30	50	75	41	35	55	HCSO08014C	TS5	I
PSC4	PSC4-HCM12-085	12	40	28	32	50	85	46	45	65	HCSO08014C	TS5	I
PSC4	PSC4-HCM16-085	16	40	34	38	50	85	49	48	65	HCSO08014C	TS5	I
PSC4	PSC4-HCM20-090	20	40	38	42	50	85	51	47.5	70	HCSO08014C	TS5	I
PSC5	PSC5-HCM06-065	6	50	22	26	50	65	37	30	-	HCSO05014C	TS5	II
PSC5	PSC5-HCM08-065	8	50	24	28	50	65	37	30	-	HCSO06014C	TS5	II
PSC5	PSC5-HCM10-070	10	50	26	30	50	70	41	35	-	HCSO08014C	TS5	II
PSC5	PSC5-HCM12-080	12	50	28	32	50	80	46	45	-	HCSO08014C	TS5	II
PSC5	PSC5-HCM16-080	16	50	34	38	50	80	49	48	-	HCSO08014C	TS5	II
PSC5	PSC5-HCM20-080	20	50	38	42	50	80	51	48	-	HCSO08014C	TS5	II
PSC5	PSC5-HCM25-100	25	50	53	57	63	100	57	59	80	HCSO12014C	TS6	I
PSC6	PSC6-HCM06-070	6	63	22	26	50	70	37	29	48	HCSO05014C	TS5	II
PSC6	PSC6-HCM08-070	8	63	24	28	50	70	37	30	48	HCSO06014C	TS5	II
PSC6	PSC6-HCM10-075	10	63	26	30	50	75	41	35	53	HCSO08014C	TS5	II
PSC6	PSC6-HCM12-085	12	63	28	32	50	90	46	45	63	HCSO08014C	TS5	II
PSC6	PSC6-HCM16-085	16	63	34	38	50	85	49	48	63	HCSO08014C	TS5	II
PSC6	PSC6-HCM20-100	20	63	38	42	50	100	51	51	63	HCSO08014C	TS5	II
PSC6	PSC6-HCM25-100	25	63	53	57	63	100	57	60	-	HCSO12014C	TS6	II
PSC6	PSC6-HCM32-105	32	63	60	64	75	105	61	61	83	HCSO12014C	TS6	I
PSC8	PSC8-HCM12-095	12	80	28	32	50	95	46	45	63	HCSO08014C	TS5	II
PSC8	PSC8-HCM20-095	20	80	38	42	50	95	51	48	63	HCSO08014C	TS5	II
PSC8	PSC8-HCM32-115	32	80	60	64	75	115	61	63	82	HCSO12014C	TS6	II

PSC 热装刀柄

PSC Shrink Fit Toolholders



- 中心通水, 冷却液压力 ≤ 80bar
Internal coolant pressure ≤ 80bar



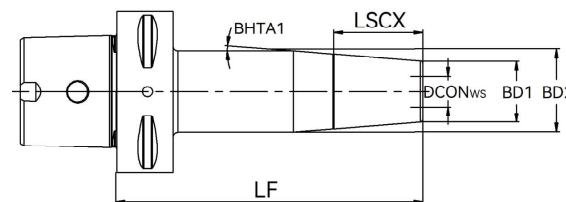
主轴型号 Spindle Model	刀柄型号 Model No	尺寸 Size (mm)							螺钉 Screw
		DCON _{ws}	DCON _{ws}	LF	LSCX	BD1	BD2	BHTA1	
PSC4	PSC4-SFX06-075	6	40	75	36	21	27	4.5°	SO05014C
PSC4	PSC4-SF08-075	8	40	75	36	21	27	4.5°	SO06014C
PSC4	PSC4-SF10-075	10	40	75	42	24	32	4.5°	SO08014C
PSC4	PSC4-SF12-075	12	40	75	47	24	32	4.5°	SO08014C
PSC4	PSC4-SF14-080	14	40	80	47	27	34	4.5°	SO08014C
PSC4	PSC4-SF16-080	16	40	80	50	27	34	4.5°	SO12014C
PSC5	PSC5-SFX06-075	6	50	75	36	21	27	4.5°	SO05014C
PSC5	PSC5-SF08-075	8	50	75	36	21	27	4.5°	SO06014C
PSC5	PSC5-SF10-075	10	50	75	42	24	32	4.5°	SO08014C
PSC5	PSC5-SF12-075	12	50	75	47	24	32	4.5°	SO08014C
PSC5	PSC5-SF14-080	14	50	80	47	27	34	4.5°	SO08014C
PSC5	PSC5-SF16-080	16	50	80	50	27	34	4.5°	SO12014C
PSC5	PSC5-SF18-080	18	50	80	50	33	42	4.5°	SO12014C
PSC5	PSC5-SF20-085	20	50	85	52	33	42	4.5°	SO16016C
PSC6	PSC6-SFX06-080	6	63	80	36	21	27	4.5°	SO05014C
PSC6	PSC6-SF08-080	8	63	80	36	21	27	4.5°	SO06014C
PSC6	PSC6-SF10-080	10	63	80	42	24	32	4.5°	SO08014C
PSC6	PSC6-SF12-080	12	63	80	47	24	32	4.5°	SO08014C
PSC6	PSC6-SF14-085	14	63	85	47	27	34	4.5°	SO08014C
PSC6	PSC6-SF16-085	16	63	85	50	27	34	4.5°	SO12014C
PSC6	PSC6-SF18-085	18	63	85	50	33	42	4.5°	SO12014C
PSC6	PSC6-SF20-085	20	63	85	52	33	42	4.5°	SO16016C
PSC6	PSC6-SF25-090	25	63	90	58	44	53	4.5°	SO16016C
PSC6	PSC6-SF32-095	32	63	95	58	44	53	4.5°	SO16016C

PSC 热装刀柄

PSC Shrink Fit Toolholders



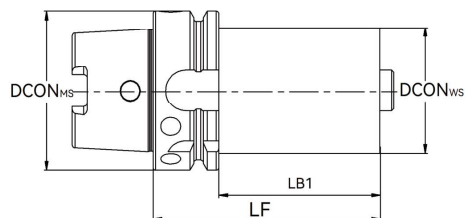
- 中心通水, 冷却液压力 ≤ 80bar
Internal coolant pressure ≤ 80bar



主轴型号 Spindle Model	刀柄型号 Model No	尺寸 Size (mm)							螺钉 Screw
		DCON _{ws}	DCON _{ws}	LF	LSCX	BD1	BD2	BHTA1	
PSC8	PSC8-SF10-090	10	80	90	42	24	32	4.5°	SO08014C
PSC8	PSC8-SF12-090	12	80	90	47	24	32	4.5°	SO08014C
PSC8	PSC8-SF16-095	16	80	95	47	27	34	4.5°	SO12014C
PSC8	PSC8-SF20-095	20	80	95	52	33	42	4.5°	SO16016C
PSC8	PSC8-SF25-100	25	80	100	58	44	53	4.5°	SO16016C
PSC10	PSC10-SF12-095	12	100	95	47	24	32	4.5°	SO08014C
PSC10	PSC10-SF16-100	16	100	100	50	27	34	4.5°	SO12014C
PSC10	PSC10-SF20-100	20	100	100	52	33	42	4.5°	SO16016C
PSC10	PSC10-SF25-110	25	100	110	58	44	53	4.5°	SO16016C

HSK 转接柄 (后拉式)

HSK-PSC Adaptor



- 中心拉钉锁紧

Locking with center pull pin

- 适用于旋转刀具或静态刀具

Suitable for rotating or static tools

- 中心通水, 冷却液压力 ≤ 100bar

Internal coolant pressure ≤ 100bar

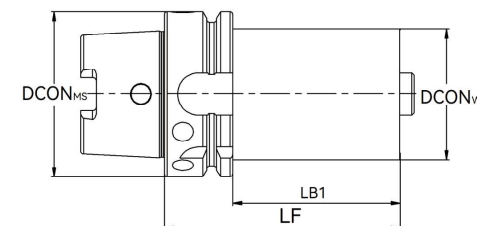
- 机床接口 HSK A/C/T

Machine interface HSK A/C/T

主轴型号	刀柄型号	尺寸 Size (mm)			
		DCON _{ws}	DCON _{ms}	LF	LB1
PSC5	HSK63T-PSC5-090	50	63	90	64
PSC6	HSK63T-PSC6-110	63	63	110	-
PSC6	HSK100T-PSC6-110	63	100	110	81
PSC8	HSK100T-PSC8-120	80	100	120	91

HSK 转接柄

HSK-PSC Adaptor



- 中心拉钉锁紧

Locking with center pull pin

- 适用于旋转刀具或静态刀具

Suitable for rotating or static tools

- 中心通水, 冷却液压力 ≤ 100bar

Internal coolant pressure ≤ 100bar

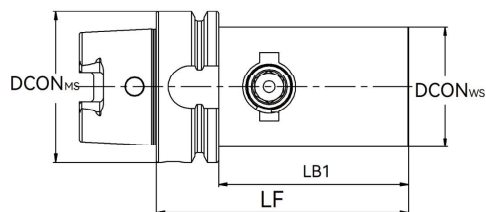
- 机床接口 HSK A/C

Machine interface HSK A/C

主轴型号	刀柄型号	尺寸 Size (mm)			
		DCON _{ws}	DCON _{ms}	LF	LB1
PSC3	HSK63A-PSC3-075	32	63	75	49
PSC4	HSK63A-PSC4-080	40	63	80	54
PSC5	HSK63A-PSC5-090	50	63	90	64
PSC3	HSK100A-PSC3-080	32	100	80	51
PSC4	HSK100A-PSC4-090	40	100	90	61
PSC5	HSK100A-PSC5-100	50	100	100	71
PSC6	HSK100A-PSC6-110	63	100	110	81
PSC8	HSK100A-PSC8-120	80	100	120	91
PSC10	HSK100A-PSC10-155	100	100	155	-

HSK 转接柄 (涨爪式)

HSK-PSC Adaptor



- 中心涨爪锁紧

locking with Center expansion claw

- 适用于旋转刀具或静态刀具

Suitable for rotating or static tools

- 中心通水, 冷却液压力 ≤ 100bar

Internal coolant pressure ≤ 100bar

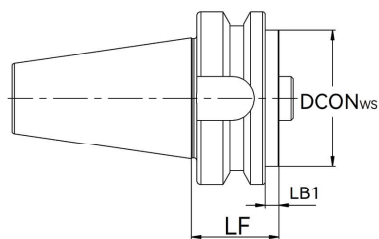
- 机床接口 HSK A/C

Machine interface HSK A/C/T

主轴型号	刀柄型号	尺寸 Size (mm)			
		DCON _{ws}	DCON _{ms}	LF	LB1
PSC5	HSK63A-PSC5M-115	50	63	115	89
PSC6	HSK100A-PSC6M-135	63	100	135	106
PSC6	HSK100A-PSC8M-165	80	100	165	136

BT 转接柄 (后拉式)

BT-PSC Adaptor



- 中心拉钉锁紧

Locking with center pull pin

- 适用于旋转刀具或静态刀具

Suitable for rotating or static tools

- 中心通水, 冷却液压力 ≤ 80bar

Internal coolant pressure ≤ 80bar

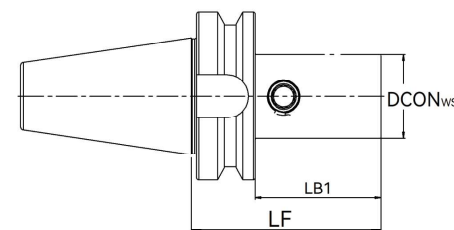
- 机床接口 JIS B6339

Machine interface JIS B6339

主轴型号	刀柄型号	尺寸 Size (mm)		
		DCON _{ws}	LF	LB1
BT30	BT30-PSC3-030	32	30	8
BT30	BT30-PSC3-060	32	60	38
BT30	BT30-PSC4-060	40	60	38
BT30	BT30-PSC5-080	50	80	-
BT40	BT40-PSC3-030	32	30	3
BT40	BT40-PSC3-060	32	60	33
BT40	BT40-PSC4-030	40	30	3
BT40	BT40-PSC4-060	40	60	33
BT40	BT40-PSC5-050	50	50	23
BT40	BT40-PSC5-090	50	90	63
BT40	BT40-PSC6-075	63	75	-
BT50	BT50-PSC3-040	32	40	2
BT50	BT50-PSC3-070	32	70	32
BT50	BT50-PSC4-040	40	40	2
BT50	BT50-PSC4-070	40	70	32
BT50	BT50-PSC5-040	50	40	2
BT50	BT50-PSC5-080	50	80	42
BT50	BT50-PSC6-050	63	50	12
BT50	BT50-PSC6-100	63	100	62
BT50	BT50-PSC8-070	80	70	32
BT50	BT50-PSC8-120	80	120	82
BT50	BT50-PSC10-140	100	140	-
BT60	BT60-PSC8-120	80	120	72
BT60	BT60-PSC10-080	100	80	32

BT 转接柄 (涨爪式)

BT-PSC Adaptor



- 中心涨爪锁紧

Locking with center expansion claw

- 适用于旋转刀具或静态刀具

Suitable for rotating or static tools

- 中心通水, 冷却液压力 ≤ 80bar

Internal coolant pressure ≤ 80bar

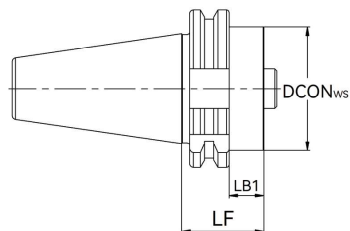
- 机床接口 ISO 7388-1

Machine interface ISO 7388-1

主轴型号	刀柄型号	尺寸 Size (mm)		
		DCON _{ws}	LF	LB1
BT50	BT50-PSC5M-115	50	115	77
BT50	BT50-PSC6M-135	63	135	97
BT50	BT50-PSC8M-150	80	150	112

JT 转接柄 (后拉式)

JT-PSC Adaptor



- 中心拉钉锁紧

Locking with center pull pin

- 适用于旋转刀具或静态刀具

Suitable for rotating or static tools

- 中心通水, 冷却液压力 ≤ 80bar

Internal coolant pressure ≤ 80bar

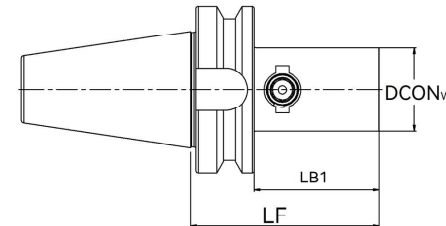
- 机床接口 ISO 7388-1

Machine interface ISO 7388-1

主轴型号 Spindle Model	刀柄型号 Model No	尺寸 Size (mm)		
		DCON _{ws}	LF	LB1
JT40	JT40-PSC3-030	32	30	10.9
JT40	JT40-PSC3-060	32	60	40.9
JT40	JT40-PSC4-030	40	30	10.9
JT40	JT40-PSC4-060	40	60	40.9
JT40	JT40-PSC5-060	50	60	40.9
JT40	JT40-PSC5-080	50	80	60.9
JT40	JT40-PSC6-085	63	85	65.9
JT50	JT50-PSC3-030	32	30	10.9
JT50	JT50-PSC3-060	32	60	40.9
JT50	JT50-PSC4-030	40	30	10.9
JT50	JT50-PSC4-060	40	60	40.9
JT50	JT50-PSC5-030	50	30	10.9
JT50	JT50-PSC5-070	50	70	50.9
JT50	JT50-PSC6-050	63	50	30.9
JT50	JT50-PSC6-100	63	100	80.9
JT50	JT50-PSC8-070	80	70	50.9
JT50	JT50-PSC8-120	80	120	100.9
JT50	JT50-PSC10-140	100	140	-
JT60	JT60-PSC8-120	80	120	100.9
JT60	JT60-PSC10-050	100	50	30.9

JT 转接柄 (涨爪式)

JT-PSC Adaptor



- 中心涨爪锁紧

Locking with center expansion claw

- 适用于旋转刀具或静态刀具

Suitable for rotating or static tools

- 中心通水, 冷却液压力 ≤ 80bar

Internal coolant pressure ≤ 80bar

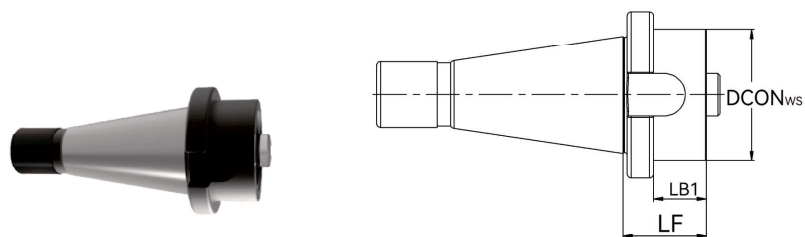
- 机床接口 ISO 7388-1

Machine interface ISO 7388-1

主轴型号 Spindle Model	刀柄型号 Model No	尺寸 Size (mm)		
		DCON _{ws}	LF	LB1
Jt50	JT50-PSC6M-095	50	95	75.9
JT50	JT50-PSC6M-115	63	115	95.9
JT50	JT50-PSC8M-135	80	135	115.9

ST 转接柄 (后拉式)

ST-PSC Adaptor



- 中心拉钉锁紧

Locking with center pull pin

- 适用于旋转刀具或静态刀具

Suitable for rotating or static tools

- 中心通水, 冷却液压力 $\leq 80\text{bar}$ Internal coolant pressure $\leq 80\text{bar}$

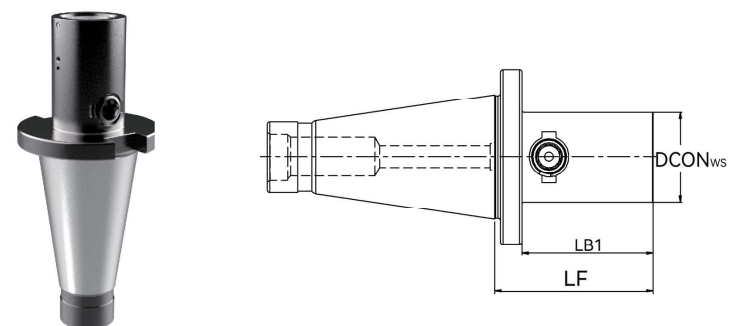
- 机床接口 DIN 2080

Machine interface DIN 2080

主轴型号	刀柄型号	尺寸 Size (mm)		
Spindle Model	Model No	DCON _{ws}	LF	LB1
ST40	ST40-PSC3-030	32	30	18.4
ST40	ST40-PSC4-030	40	30	18.4
ST40	ST40-PSC4-060	40	60	48.4
ST40	ST40-PSC5-030	50	30	18.4
ST40	ST40-PSC6-075	63	75	-
ST50	ST50-PSC3-030	32	30	14.8
ST50	ST50-PSC3-060	32	60	44.8
ST50	ST50-PSC4-030	40	30	14.8
ST50	ST50-PSC4-060	40	60	44.8
ST50	ST50-PSC5-030	50	30	14.8
ST50	ST50-PSC5-070	50	70	54.8
ST50	ST50-PSC6-030	63	30	14.8
ST50	ST50-PSC6-080	63	80	64.8
ST50	ST50-PSC8-070	80	70	54.8
ST50	ST50-PSC8-120	80	120	104.8

ST 转接柄 (涨爪式)

ST-PSC Adaptor



- 中心涨爪锁紧

Locking with center expansion claw

- 适用于旋转刀具或静态刀具

Suitable for rotating or static tools

- 中心通水, 冷却液压力 $\leq 80\text{bar}$ Internal coolant pressure $\leq 80\text{bar}$

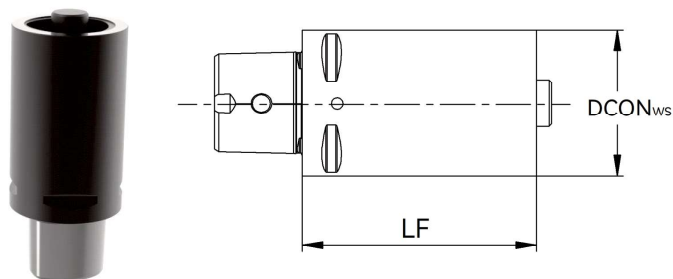
- 机床接口 DIN 2080

Machine interface DIN 2080

主轴型号	刀柄型号	尺寸 Size (mm)		
Spindle Model	Model No	DCON _{ws}	LF	LB1
ST40	ST40-PSC5M-95	50	95	83.4
ST50	ST50-PSC8M-140	80	140	124.8

等径接杆（后拉式）

PSC Extension Adaptor



- 中心拉钉锁紧

Locking with center pull pin

- 三棱锥前后同向

Pyramid in the same direction before and after

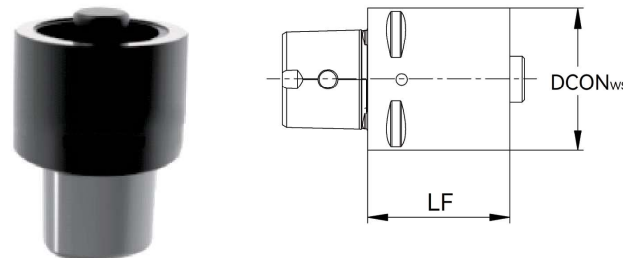
- 中心通水，冷却液压力 ≤ 80bar

Internal coolant pressure ≤ 80bar

主轴型号	刀柄型号	尺寸 Size (mm)	
		DCON _{ws}	LF
PSC3	PSC3-PSC3-060	32	60
PSC3	PSC3-PSC3-080	32	80
PSC3	PSC3-PSC3-095	32	95
PSC4	PSC4-PSC4-060	40	60
PSC4	PSC4-PSC4-080	40	80
PSC4	PSC4-PSC4-120	40	120
PSC5	PSC5-PSC5-080	50	80
PSC5	PSC5-PSC5-100	50	100
PSC5	PSC5-PSC5-150	50	150
PSC6	PSC6-PSC6-100	63	100
PSC6	PSC6-PSC6-140	63	140
PSC6	PSC6-PSC6-185	63	185
PSC8	PSC8-PSC8-100	80	100
PSC8	PSC8-PSC8-125	80	125
PSC8	PSC8-PSC8-200	80	200
PSC10	PSC10-PSC10-140	100	140
PSC10	PSC10-PSC10-200	100	200

等径接杆（后拉式）

PSC Extension Adaptor



- 中心拉钉锁紧

Locking with center pull pin

- 三棱锥前后同向

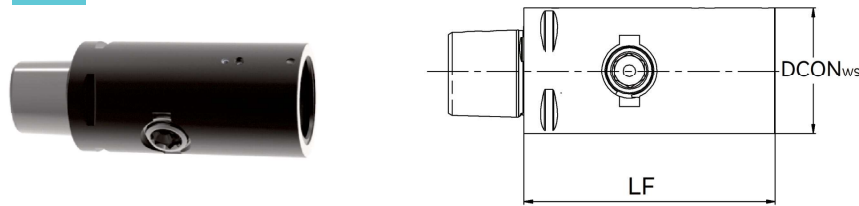
Pyramid in the same direction before and after

- 中心通水，冷却液压力 ≤ 80bar

Internal coolant pressure ≤ 80bar

主轴型号	刀柄型号	尺寸 Size (mm)	
		DCON _{ws}	LF
PSC3	PSC3-PSC3-035	32	35
PSC4	PSC4-PSC4-040	40	40
PSC5	PSC5-PSC5-050	50	50
PSC6	PSC6-PSC6-060	63	60
PSC8	PSC8-PSC8-065	80	65

等径接杆（涨爪式） PSC Extension Adaptor



- 中心涨爪锁紧

Locking with center expansion claw

- 三棱锥前后同向

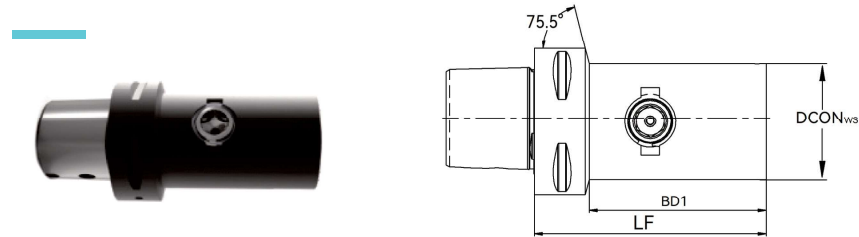
Pyramid in the same direction before and after

- 中心通水, 冷却液压力 ≤ 80bar

Internal coolant pressure ≤ 80bar

主轴型号 Spindle Model	刀柄型号 Model No	尺寸 Size (mm)	
		DCON _{ws}	LF
PSC4	PSC4-PSC4M-085	40	85
PSC5	PSC5-PSC5M-100	50	100
PSC6	PSC6-PSC6M-115	63	115
PSC8	PSC8-PSC8M-145	80	145

缩径接杆（后拉式） PSC Reduction Adaptor



- 中心拉钉锁紧

Locking with center pull pin

- 三棱锥前后同向

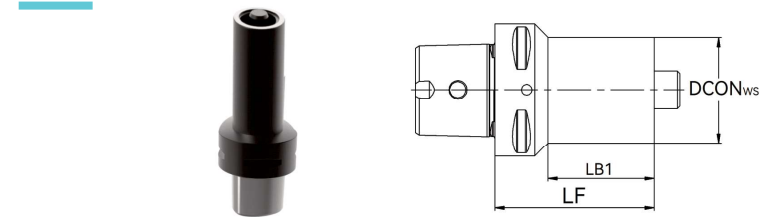
Pyramid in the same direction before and after

- 中心通水, 冷却液压力 ≤ 80bar

Internal coolant pressure ≤ 80bar

主轴型号 Spindle Model	刀柄型号 Model No	尺寸 Size (mm)		
		DCON _{WS}	LF	Lb1
PSC5	PSC5-PSC4M-085	40	85	60.5
PSC6	PSC6-PSC5M-100	50	100	73
PSC8	PSC8-PSC6M-120	63	120	84.5
PSC100	PSC10-PSC8M-150	80	150	108

等径接杆（后拉式） PSC Extension Adaptor



- 中心拉钉锁紧

Locking with center pull pin

- 三棱锥前后同向

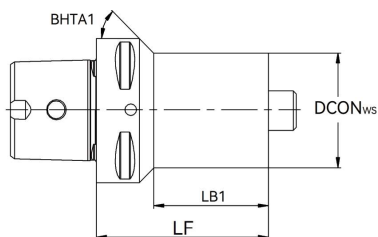
Pyramid in the same direction before and after

- 中心通水, 冷却液压力 ≤ 80bar

Internal coolant pressure ≤ 80bar

主轴型号 Spindle Model	刀柄型号 Model No	尺寸 Size (mm)		
		DCON _{ws}	LF	LB1
PSC4	PSC4-PSC3-055	32	55	31
PSC4	PSC4-PSC3-120	32	120	95.7
PSC5	PSC5-PSC3-060	32	60	34.8
PSC5	PSC5-PSC3-120	32	120	94.4
PSC5	PSC5-PSC4-065	40	65	40
PSC5	PSC5-PSC4-140	40	140	115.5
PSC6	PSC6-PSC3-070	32	70	39
PSC6	PSC6-PSC3-125	32	125	95.6
PSC6	PSC6-PSC4-080	40	80	51.4
PSC6	PSC6-PSC4-145	40	145	116.7
PSC6	PSC6-PSC5-080	50	80	51.5
PSC6	PSC6-PSC5-175	50	175	148.1
PSC8	PSC8-PSC3-060	32	60	20.7
PSC8	PSC8-PSC3-135	32	135	95.7
PSC8	PSC8-PSC4-070	40	70	31.4
PSC8	PSC8-PSC4-155	40	155	116.4
PSC8	PSC8-PSC5-080	50	80	42.8
PSC8	PSC8-PSC5-185	50	185	147.8
PSC8	PSC8-PSC6-080	63	80	44.5
PSC8	PSC8-PSC6-200	63	200	164.5
PSC10	PSC10-PSC6-200	63	200	155.8
PSC10	PSC10-PSC8-200	80	200	158.1

缩径接杆（后拉式） PSC Reduction Adaptor



- 中心拉钉锁紧

Locking with center pull pin

- 三棱锥前后同向

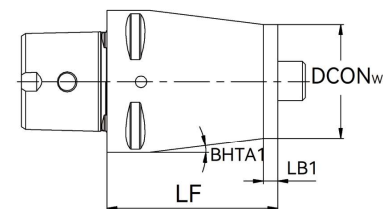
Pyramid in the same direction before and after

- 中心通水，冷却液压力≤80bar

Internal coolant pressure ≤ 80bar

主轴型号	刀柄型号	尺寸 Size (mm)			
		DCON _{ws}	LF	LB1	BHTA1
PSC8	PSC8-PSC6-120	63	120	10	6°
PSC10	PSC10-PSC3-085	32	85	36.7	71°
PSC10	PSC10-PSC4-090	40	90	42.7	71°
PSC10	PSC10-PSC5-095	50	95	49.1	70°
PSC10	PSC10-PSC6-095	63	95	50.8	68°
PSC10	PSC10-PSC8-100	80	100	58.1	63°

缩径接杆（后拉式） PSC Reduction Adaptor



- 中心拉钉锁紧

Locking with center pull pin

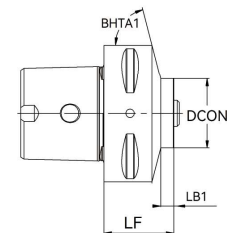
- 三棱锥前后同向

Pyramid in the same direction before and after

- 中心通水，冷却液压力≤80bar

Internal coolant pressure ≤ 80bar

主轴型号	刀柄型号	尺寸 Size (mm)			
		DCON _{ws}	LF	LB1	BHTA1
PSC4	PSC4-PSC3-070	32	70	10	6°
PSC5	PSC5-PSC3-150	32	150	5	4°
PSC5	PSC5-PSC4-085	40	85	10	5°
PSC6	PSC6-PSC3-185	32	185	5	6°
PSC6	PSC6-PSC4-185	40	185	5	4°
PSC6	PSC6-PSC5-110	50	110	10	5°
PSC8	PSC8-PSC4-200	40	200	5	7°
PSC8	PSC8-PSC5-200	50	200	5	5°



- 中心拉钉锁紧

Locking with center pull pin

- 中心通水，冷却液压力≤80bar

Internal coolant pressure ≤ 80bar

主轴型号	刀柄型号	尺寸 Size (mm)			
		DCON _{ws}	LF	LB1	BHTA1
PSC5	PSC5-PSC3-33	32	33	5	0°
PSC5	PSC5-PSC4-40	40	40	15	0°
PSC6	PSC6-PSC3-32	32	32	6	0°
PSC6	PSC6-PSC4-40	40	40	11	0°
PSC6	PSC6-PSC5-50	50	50	20	0°
PSC8	PSC8-PSC5-45	50	45	5	0°
PSC8	PSC8-PSC6-55	63	55	15	0°
PSC10	PSC10-PSC6-55	63	55	14	75°
PSC10	PSC10-PSC8-65	80	65	25.4	70°